

Vanity Cabinets

Construction Options and Modifications

- -- Available with an upcharge
- ◆ -- Included as standard
- (Blank) **Not** available
- ☆ -- Available with exceptions

Note: Standard vanity cabinet box depth is 18" or 21" unless stated otherwise. Add door thickness for total depth. Standard vanity cabinet height is 34 1/2" unless stated otherwise.

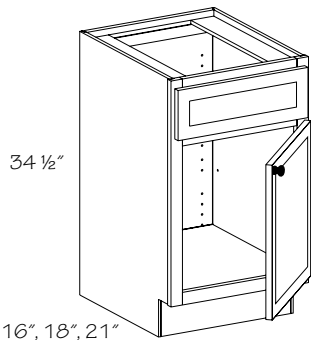
VCD	30	18	34
code	width	depth	height

Arch doors on vanity base cabinets are standard in arch door styles.

Material thickness dimensions may be nominal based on lumber industry standards.

Specifications subject to change without notice.

- PE – Plywood Ends
- APC – All Plywood Construction
- APFC – All Plywood Furniture Construction
- DE – Integrated Decorative End
- FPEB – Furniture Plywood Ends
- GD – Glass Doors
- IF – Inverted Frame
- MI – Matching Interior
- RD – Reduced Depth
- RTK – Recessed Toe Kick
- TWR – Top Wide Rail
- VTK – Void Toe Kick
- WR – Wide Bottom Rail
- XS – Extended Stile



Vanity Sink Base Single Door

(price book pg. G1)

Specify R or L
16" Deep

VSB181634 R or L
VSB211634 R or L

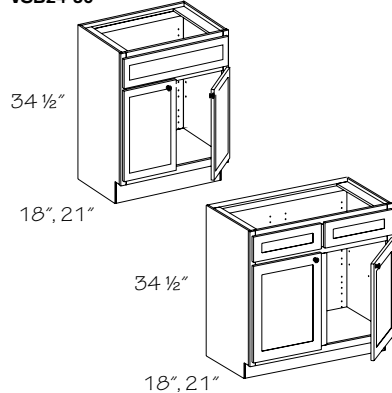
18" Deep
VSB181834 R or L
VSB211834 R or L

21" Deep
VSB182134 R or L
VSB212134 R or L

- Single door and drawer front
- Optional Utensil Tray Kits (UTK and SUTK) are available

- PE
- APC
- APFC
- DE
- FPEB
- GD
- IF
- MI
- RD
- RTK
- TWR
- VTK
- WR
- XS

VSB24-36



Vanity Sink Base Double Door

(price book pg. G1)

18" Deep
VSB241834
VSB271834
VSB301834
VSB331834
VSB361834

◆▲ **VSB391834**

21" Deep
VSB242134
VSB272134
VSB302134
VSB332134
VSB362134

◆▲ **VSB392134**

◆ 3" center stile

▲ Deluxe Dovetailed full-width Trays (DXFWT) **not** available

- Single or double drawer front
- Optional Utensil Tray Kits (UTK and SUTK) are available

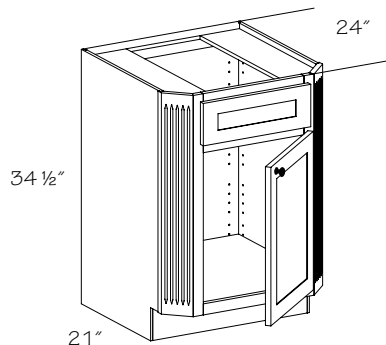
- PE
- APC
- APFC
- DE
- FPEB
- GD
- IF
- MI
- RD
- RTK
- TWR
- VTK
- WR
- XS

Vanity Sink Base-Fluted Clipped Corners

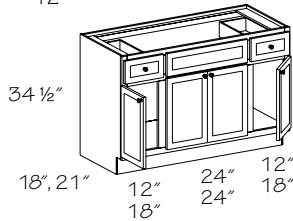
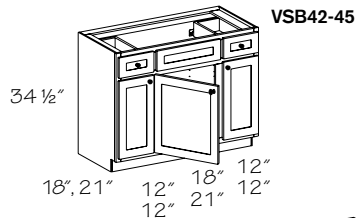
(price book pg. G1)

VSBFCC242434 R or L
VSBFCC272434 R or L
VSBFCC302434
VSBFCC332434

- Single drawer front
- No shelf
- Optional Utensil Tray Kits (UTK and SUTK) are available
- Optional Door Storage Unit (SBDSU) is available
- Angled stiles extend 3" each side
- Nominal width is overall cabinet width. Example: VSBFCC302434 is 30" wide.
- Factory installed Roll-out Trays (ROT) are **not** available
- Quartersawn door styles will be supplied in plain sawn wood.



- PE
- APC
- APFC
- DE
- FPEB
- GD
- IF
- MI
- RD
- RTK
- TWR
- VTK
- WR
- XS



Vanity Sink Base Four Door

(price book pg. G1)

18" Deep

- * VSB421834
- * VSB451834
- VSB481834
- VSB601834

21" Deep

- * VSB422134
- * VSB452134
- VSB482134
- VSB602134

- * Center door hinged left only

- Two working drawers with one false drawer front

- PE
- APC
- APFC
- DE
- FPFB
- GD
- IF
- MI
- RD
- RTK
- TWR
- VTK
- WR
- XS

Vanity Sink Base Two Drawer

(price book pg. G3)

18" Deep

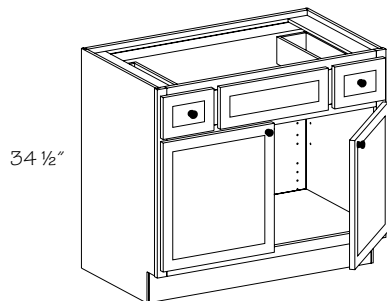
- VSB361834 *2

21" Deep

- VSB362134 *2

- Two working drawers
- 18" center section with false drawer front
- 3" or larger pulls **cannot** be used on drawer fronts in Laredo

- PE
- APC
- APFC
- DE
- FPFB
- GD
- IF
- MI
- RD
- RTK
- TWR
- VTK
- WR
- XS



18", 21"

Vanity Sink Base Three Drawer

(price book pg. G3)

18" Deep

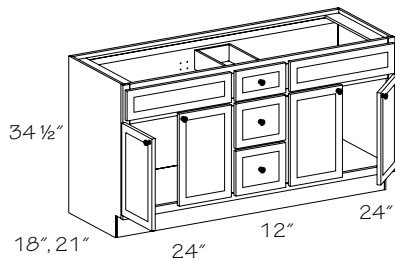
- VSB601834 *3

21" Deep

- VSB602134 *3

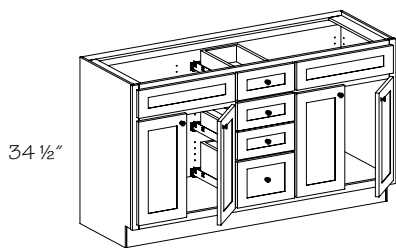
- Two pair of butt doors
- Three drawer stack in center

- PE
- APC
- APFC
- DE
- FPFB
- GD
- IF
- MI
- RD
- RTK
- TWR
- VTK
- WR
- XS



18", 21"

New



18", 21"

Vanity Sink Base Four Drawer

(price book pg. G3)

18" Deep

- VSB601834 *4

21" Deep

- VSB602134 *4

Gray color coding indicates new product, size or code.

- Two pair of butt doors
- Four drawer stack in center
- Three standard drawers
- One deep drawer
- Two drawer fronts
- Scoop Top Drawer (STDW) Option available

- PE
- APC
- APFC
- DE
- FPFB
- GD
- IF
- MI
- RD
- RTK
- TWR
- VTK
- WR
- XS

Vanity Sink Base Bottom Drawer

(price book pg. G3)

16" Deep

VSB181634 R or L-BD

18" Deep

VSB181834 R or L-BD

VSB241834 •BD

VSB301834 •BD

VSB361834 •BD

▲ **VSB361834 •2BD**

21" Deep

VSB182134 R or L-BD

VSB242134 •BD

VSB302134 •BD

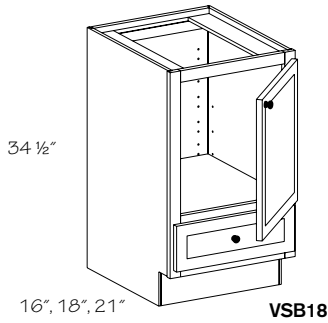
VSB362134 •BD

▲ **VSB362134 •2BD**

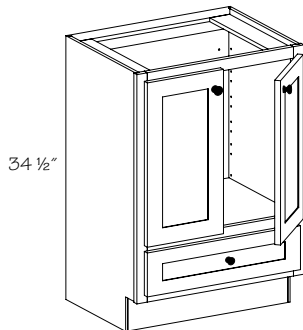
▲ Two drawers side by side

• 2 1/4" high drawer box

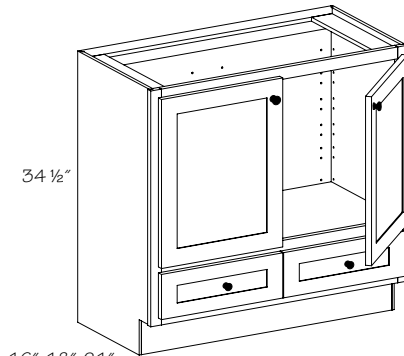
- PE
- APC
- APFC
- DE
- FPFB
- GD
- IF
- MI
- RD
- RTK
- TWR
- VTK
- WR
- XS



VSB18



VSB24-36



VSB36•2BD

Vanity Sink Front

(price book pg. G3)

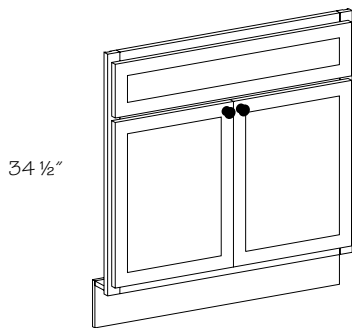
VSF1834 R or L

VSF2434

VSF3034

VSF3634

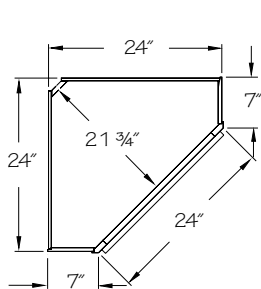
- Includes floor, shipped loose
- Toe kick included
- Optional Utensil Tray Kits (UTK and SUTK) are available
- **Not** trimmable



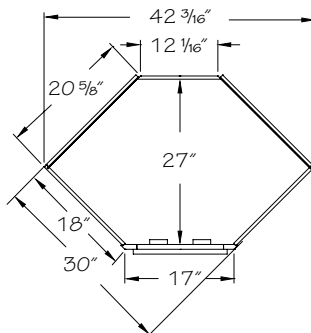
- PE
- APC
- APFC
- DE
- FPFB
- GD
- IF
- MI
- RD
- RTK
- TWR
- VTK
- WR
- XS

Vanity Sink Base Angle Information

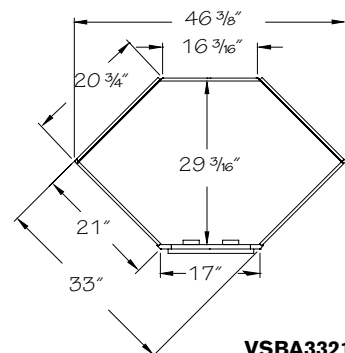
(price book pg. G3)



VSB242434



VSB301834



VSB332134

New

Vanity Sink Base Angle-Full Height

(price book pg. G5)

VSBA301834 R or L-FH
VSBA332134 R or L-FH

Gray color coding indicates new product, size or code.

- Full Overlay door styles feature factory-installed adjustable door buffer kit.
- No shelf
- Angled back provides clearance for installation

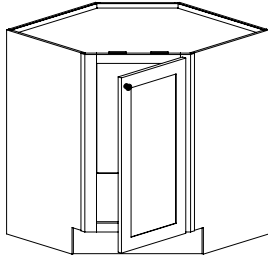
- Back Options (BEB and VGRB) **not** available
- Contrasting Back Options (CBEB, CPLB, CVGR) **not** available



Remember to order a 3/16" skin (WSK) for the exposed ends of 93" & 96" high tall cabinets to conceal the seam between the loose toe kit and the cabinet.

- PE
- APC
- APFC
- DE
- FPFB
- GD
- IF
- MI
- RD
- RTK
- TWR
- VTK
- WR
- XS

34 1/2"



New

Vanity Sink Base Angle-Single Door

(price book pg. G5)

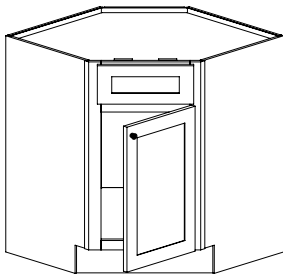
VSBA301834 R or L
VSBA332134 R or L

Gray color coding indicates new product, size or code.

- Full Overlay door styles feature factory-installed adjustable door buffer kit.
- No shelf
- One drawer front
- Optional Utensil Tray Kits (UTK and SUTK) are available
- Angled back provides clearance for installation
- Back Options (BEB and VGRB) **not** available
- Contrasting Back Options (CBEB, CPLB, CVGR) **not** available

- PE
- APC
- APFC
- DE
- FPFB
- GD
- IF
- MI
- RD
- RTK
- TWR
- VTK
- WR
- XS

34 1/2"



Vanity Sink Base Angle-Double Door

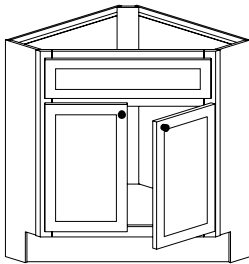
(price book pg. G5)

VSBA242434

- Optional Utensil Tray Kits (UTK and SUTK) are available
- No shelf
- One drawer front
- Angled back provides clearance for installation
- Back Options (BEB and VGRB) **not** available
- Contrasting Back Options (CBEB, CPLB, CVGR) **not** available

- PE
- APC
- APFC
- DE
- FPFB
- GD
- IF
- MI
- RD
- RTK
- TWR
- VTK
- WR
- XS

34 1/2"



Cultured Marble Top

(price book pg. G5)

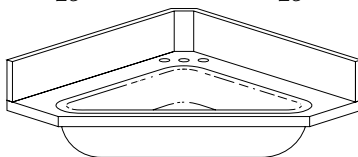
CMT2525 •102
CMT2525 •201

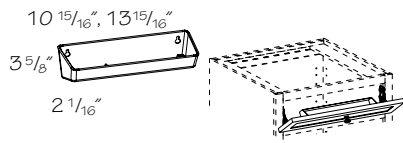
- Strata White #102 (White on White)
- Classic White #201 (solid White)
- One piece construction with 4" backsplash
- No-drip raised perimeter edge
- Integral 4" faucet drilling
- HUD-FHA ANSI Z124.3 approved

- PE
- APC
- APFC
- DE
- FPFB
- GD
- IF
- MI
- RD
- RTK
- TWR
- VTK
- WR
- XS

25"

25"





Cabinet	Tray	Order for field installed kit
SBA36	1-11"	UTK18
SFC40	2-11"	UTK30
SFA36	1-11"	UTK18
SFA39-42	1-14"	UTK24
SB18	1-11"	UTK18
SB21-27	1-14"	UTK(cabinet width)
SB30	2-11"	UTK(cabinet width)
SB33-48	2-14"	UTK(cabinet width)

Utensil Tray or Kit

Installed

UT

Kit

UTK18

UTK21

UTK24

UTK27

UTK30

UTK33

UTK36

UTK39

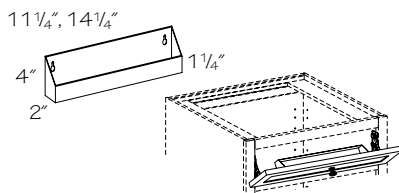
UTK42

UTK45

UTK48

- Almond or White, high-impact polystyrene tray
- Kit includes all mounting hardware
- Tilts down for convenient access to small cleaning items, etc.
- Example:
Factory Installed—SB24-UT
Field Installed Kit—UTK 24
- **Note:** When ordering for field installation, be sure to specify the cabinet width

PE
APC
APFC
DE
FPEB
GD
IF
MI
RD
RTK
RTKP
TWR
VTK
WR
XS
XSG



Cabinet	Tray	Order for field installed kit
SBA36	1-11"	SUTK18
SFA36	1-11"	SUTK18
SFA39-42	1-14"	SUTK24
SB18	1-11"	SUTK18
SB21-27	1-14"	SUTK(cabinet width)
SB30	2-11"	SUTK(cabinet width)
SB33-48	2-14"	SUTK(cabinet width)

Stainless Utensil Tray or Kit

Installed

SUT

Kit

SUTK18

SUTK21

SUTK24

SUTK27

SUTK30

SUTK33

SUTK36

SUTK39

SUTK42

SUTK45

SUTK48

- Stainless steel tray
- Tilts down for convenient access to small cleaning items, etc.
- Kit includes all mounting hardware
- Example:
Factory Installed—SB18R-SUT
Field Installed Kit—SUTK 18
- **Note:** When ordering for field installation, be sure to specify the cabinet width

PE
APC
APFC
DE
FPEB
GD
IF
MI
RD
RTK
RTKP
TWR
VTK
WR
XS
XSG

Vanity Combination Drawer (2)

(price book pg. G7)

Drawers Left

18" Deep

VCD241834 DL2

VCD271834 DL2

VCD301834 DL2

VCD331834 DL2

VCD361834 DL2

21" Deep

VCD242134 DL2

VCD272134 DL2

VCD302134 DL2

VCD332134 DL2

VCD362134 DL2

Drawers Right

18" Deep

VCD241834 DR2

VCD271834 DR2

VCD301834 DR2

VCD331834 DR2

VCD361834 DR2

21" Deep

VCD242134 DR2

VCD272134 DR2

VCD302134 DR2

VCD332134 DR2

VCD362134 DR2

Drawer-Door widths

12-12

12-15

12-18

12-21

15-21

12-12

12-15

12-18

12-21

15-21

Door-Drawer widths

12-12

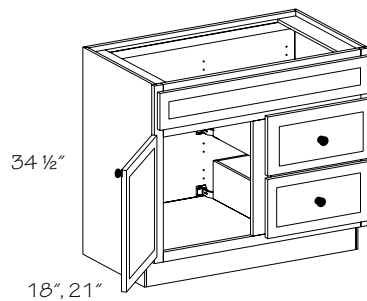
15-12

18-12

21-12

21-15

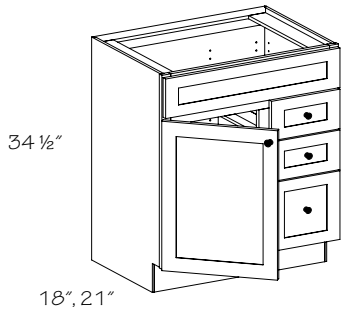
- Two deep drawers
- One drawer front



● PE
● APC
● APFC
● DE
● FPEB
● GD
● IF
● MI
● RD
● RTK
● TWR
● VTK
● WR
● XS

New

Vanity Cabinets-G



Vanity Combination Drawer (3)

(price book pg. G7)

Drawers Left

18" Deep

* VCD241834 DL3	12-12
VCD271834 DL3	12-15
VCD301834 DL3	12-18
VCD331834 DL3	12-21
VCD361834 DL3	

21" Deep

* VCD242134 DL3	12-12
VCD272134 DL3	12-15
VCD302134 DL3	12-18
VCD332134 DL3	12-21
VCD362134 DL3	15-21

Drawers Right

18" Deep

* VCD241834 DR3	12-12
VCD271834 DR3	15-12
VCD301834 DR3	18-12
VCD331834 DR3	21-12
VCD361834 DR3	21-15

21" Deep

* VCD242134 DR3	12-12
VCD272134 DR3	15-12
VCD302134 DR3	18-12
VCD332134 DR3	21-12
VCD362134 DR3	21-15

- One drawer front
- Two standard drawers
- One deep drawer
- Optional Door Storage Unit (SBDSU) is available

- PE
- APC
- APFC
- DE
- FPEB
- GD
- IF
- MI
- RD
- RTK
- TWR
- VTK
- WR
- XS

* Sink Base Door Storage Unit (SBDSU) **not** available

Gray color coding indicates new product, size or code.

Vanity Combination Drawer-Full False Front (4)

(price book pg. G9)

18" Deep

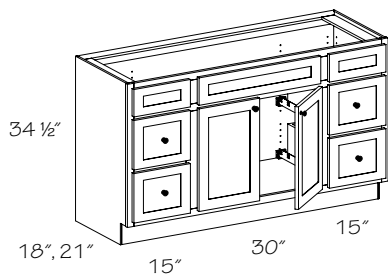
VCDF601834 -4

21" Deep

VCDF602134 -4

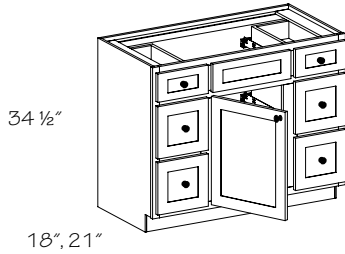
- Four deep drawers
- Three drawer fronts

- PE
- APC
- APFC
- DE
- FPEB
- GD
- IF
- MI
- RD
- RTK
- TWR
- VTK
- WR
- XS

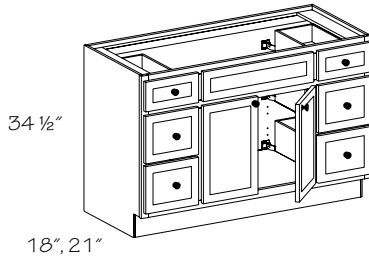


Vanity Combination Drawer (6)

(price book pg. G9)



VCD42-45



VCD48-60

18" Deep	Drawer - Door - Drawer	• Two standard drawers
▲ VCD421834 R or L-6	12"-18"-12"	• Four deep drawers
▲ VCD451834 R or L-6	12"-21"-12"	• One drawer front
VCD481834 -6	12"-24"-12"	
VCD511834 -6	12"-27"-12"	
VCD541834 -6	15"-24"-15"	
VCD571834 -6	15"-27"-15"	
VCD601834 -6	18"-24"-18"	
21" Deep		
▲ VCD422134 R or L-6	12"-18"-12"	
▲ VCD452134 R or L-6	12"-21"-12"	
VCD482134 -6	12"-24"-12"	
VCD512134 -6	12"-27"-12"	
VCD542134 -6	15"-24"-15"	
VCD572134 -6	15"-27"-15"	
VCD602134 -6	18"-24"-18"	

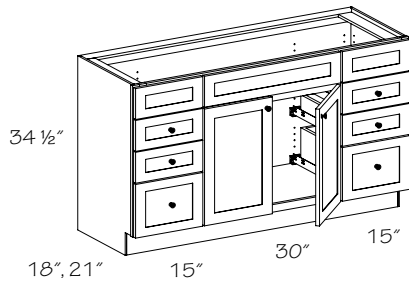
▲ Optional Door Storage Unit (SBDSU) is available

- PE
- APC
- APFC
- DE
- FPFB
- GD
- IF
- MI
- RD
- RTK
- TWR
- VTK
- WR
- XS

Vanity Combination Drawer-Full False Front (6)

(price book pg. G9)

New



18" Deep		• Four standard drawers
VCDF601834 -6		• Two deep drawers
21" Deep		• Three drawer fronts
VCDF602134 -6		• Optional Door Storage Unit (SBDSU) is available

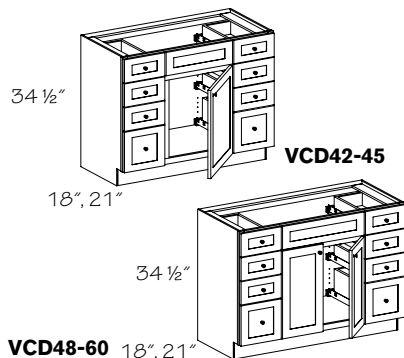
Gray color coding indicates new product, size or code.

- PE
- APC
- APFC
- DE
- FPFB
- GD
- IF
- MI
- RD
- RTK
- TWR
- VTK
- WR
- XS

Vanity Combination Drawer (8)

(price book pg. G9)

New



18" Deep	Drawer-Door-Drawer	• Six standard drawers
* VCD421834 R or L-8	12"-18"-12"	• Two deep drawers
* VCD451834 R or L-8	12"-21"-12"	• Optional Door Storage Unit (SBDSU) is available
VCD481834 -8	12"-24"-12"	• Scoop Top Drawer (STDW) Option available
VCD511834 -8	12"-27"-12"	
VCD541834 -8	15"-24"-15"	
VCD571834 -8	15"-27"-15"	
* VCD601834 -8	15"-30"-15"	
21" Deep		
* VCD422134 R or L-8	12"-18"-12"	
* VCD452134 R or L-8	12"-21"-12"	
VCD482134 -8	12"-24"-12"	
VCD512134 -8	12"-27"-12"	
VCD542134 -8	15"-24"-15"	
VCD572134 -8	15"-27"-15"	
* VCD602134 -8	15"-30"-15"	

* Optional Door Storage Unit (SBDSU) is available

Gray color coding indicates new product, size or code.

- PE
- APC
- APFC
- DE
- FPFB
- GD
- IF
- MI
- RD
- RTK
- TWR
- VTK
- WR
- XS

Vanity Cabinet Full-Height Door

(price book pg. G11)

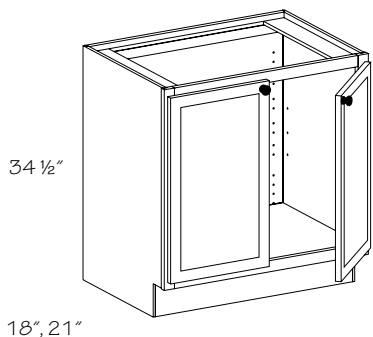
18" Deep

- VC181834 R or L**
- VC241834**
- VC271834**
- VC301834**
- VC331834**
- VC361834**
- ◆ **VC391834**
- **VC421834**
- ▲ **VC481834**

21" Deep

- VC182134 R or L**
 - VC242134**
 - VC272134**
 - VC302134**
 - VC332134**
 - VC362134**
 - ◆ **VC392134**
 - **VC422134**
 - ▲ **VC482134**
- ◆ 3" center stile
 - Factory installed Roll-out Trays (ROT) are **not** available
 - ▲ Two pair of butt doors

- PE
- APC
- APFC
- DE
- FPEB
- GD
- IF
- MI
- RD
- RTK
- TWR
- VTK
- WR
- XS



34 1/2"

18", 21"

Vanity Base Single Door

(price book pg. G11)

Specify R or L
18" Deep

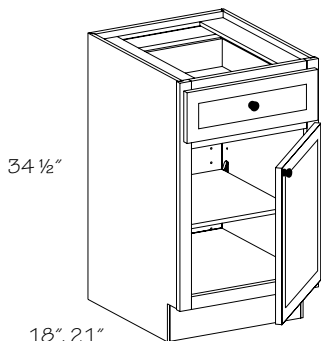
- VB121834 R or L**
- VB151834 R or L**
- VB181834 R or L**
- VB211834 R or L**

21" Deep

- VB122134 R or L**
- VB152134 R or L**
- VB182134 R or L**
- VB212134 R or L**

- One standard drawer
- One adjustable, full-depth shelf

- PE
- APC
- APFC
- DE
- FPEB
- GD
- IF
- MI
- RD
- RTK
- TWR
- VTK
- WR
- XS



34 1/2"

18", 21"

Vanity Base Double Door

(price book pg. G11)

18" Deep

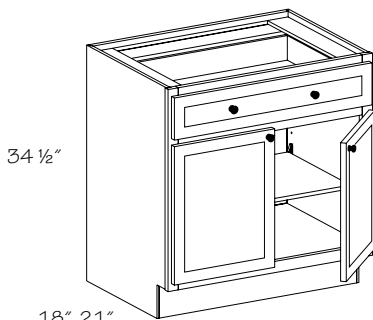
- VB241834**
- VB271834**
- VB301834**
- VB331834**
- VB361834**

21" Deep

- VB242134**
- VB272134**
- VB302134**
- VB332134**
- VB362134**

- One standard drawer
- One adjustable, full-depth shelf

- PE
- APC
- APFC
- DE
- FPEB
- GD
- IF
- MI
- RD
- RTK
- TWR
- VTK
- WR
- XS

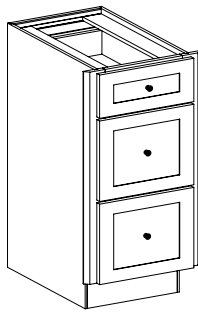


34 1/2"

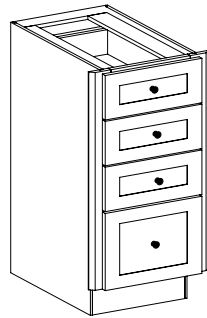
18", 21"

Vanity Drawer Base Angle Information

(price book pg. G11)

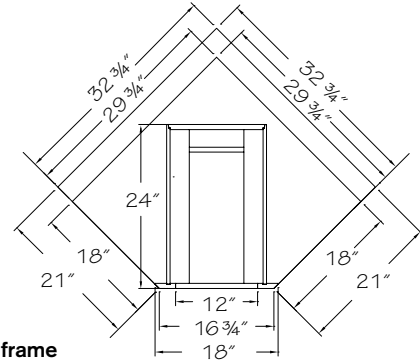


VDA•3

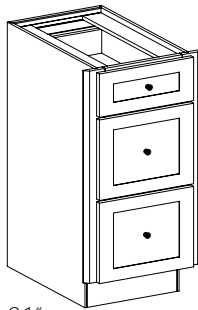


VDA•4

All dimensions are to outside of frame



New



34 1/2"

18", 21"

Vanity Drawer Base Angle Three Drawer

(price book pg. G11)

18" Deep

VDA301834 -3

21" Deep

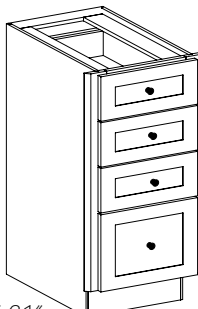
VDA332134 -3

Gray color coding indicates new product, size or code.

- Angled frame designed for diagonal corner installation only
- Scoop Top Drawer (STDW) Option available

- PE
- APC
- APFC
- DE
- FPFB
- GD
- IF
- MI
- RD
- RTK
- TWR
- VTK
- WR
- XS

New



34 1/2"

18", 21"

Vanity Drawer Base Angle Four Drawer

(price book pg. G13)

18" Deep

VDA301834 -4

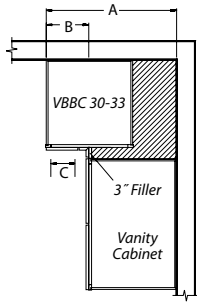
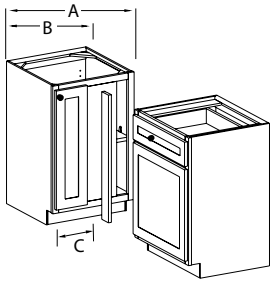
21" Deep

VDA332134 -4

Gray color coding indicates new product, size or code.

- Angled frame designed for diagonal corner installation only
- Scoop Top Drawer (STDW) Option available

- PE
- APC
- APFC
- DE
- FPFB
- GD
- IF
- MI
- RD
- RTK
- TWR
- VTK
- WR
- XS



Vanity Base Blind Corner Cabinet Information

- R or L indicates blind
- All vanity blind corner cabinets must be pulled. Consult chart or pull dimensions and minimum wall space requirements.
- Door hinged on same side as blind on single door cabinets
- Optional blind corner overlay (OPWBC) is available for full overlay door styles only; see Base Accessories Section of this book
- Right blind shown

Important Notes:

- A 3" vanity filler is included with each VBBC cabinet ordered, shipped separately. Vanity cabinet adjacent to VBBC may be ordered with an extended stile in lieu of installing supplied filler.

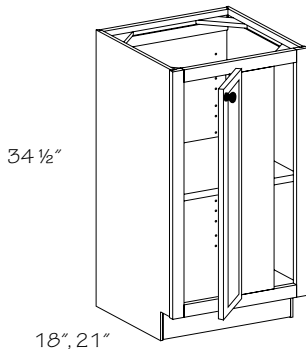
- PE
- APC
- APFC
- DE
- FPEB
- GD
- IF
- MI
- RD
- RTK
- TWR
- VTK
- WR
- XS

	½" Overlay						Full Overlay					
	Wall Space "A"		Exposed Front "B"		Door Open	Cab. Width	Wall Space "A"		Exposed Front "B"		Door Open	Cab. Width
	Min *	Max.	Min *	Max	C		Min *	Max	Min *	Max	C	
VBBC 3018	28 ½"	32 ½"	10 ½"	13 ½"	6"	18"	30"	32 ½"	12"	13 ½"	6"	18"
VBBC 33	31 ½"	37 ½"	10 ½"	16 ¼"	6"	21"	33"	38 ½"	12"	17 ½"	6"	21"

* Dimensions "A" and "B" minimum requirements include optional decorative hardware clearance. You may deduct 1/4" if hardware is not used.

Vanity Base Blind Corner

(price book pg. G13)

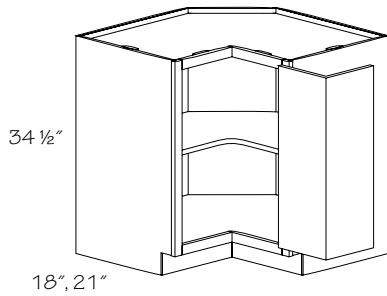
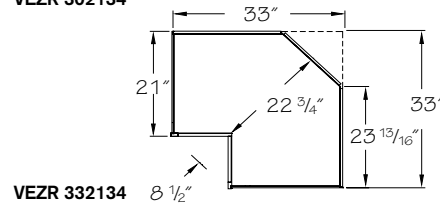
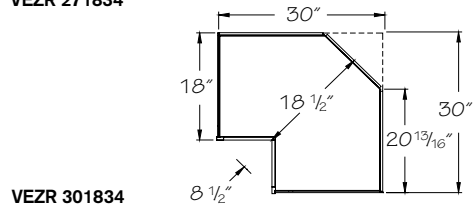
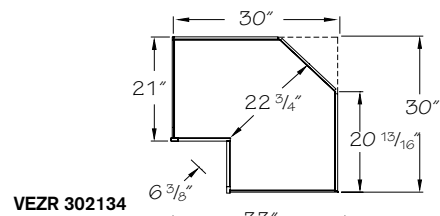
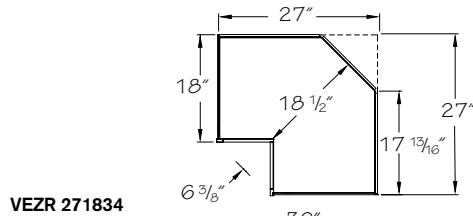


- Specify R or L
- 18" Deep
- ※ **VBBC301834 R or L**
- 21" Deep
- VBBC332134 R or L**
- ※ Laredo Cherry doors will have a solid, recessed flat panel.
- Door is hinged from blind panel
- Right blind shown
- 3" filler included
- One adjustable, full-depth shelf
- R or L indicates blind

- PE
- APC
- APFC
- DE
- FPEB
- GD
- IF
- MI
- RD
- RTK
- TWR
- VTK
- WR
- XS

Vanity Easy Reach Information

(price book pg. G13)



Vanity Easy Reach

(price book pg. G13)

Specify R or L
18" Deep

VEZR271834 R or L

VEZR301834 R or L

21" Deep

VEZR302134 R or L

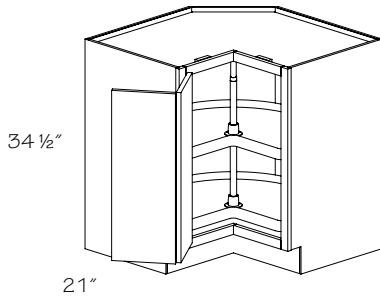
VEZR332134 R or L

- One fixed shelf
- Doors are profiled on one long and two short edges and are connected with hinges
- Angled back provides clearance for installation
- Contrasting Back Options (CBEB, CPLB, CVGR) **not** available

Note: Does **not** include Whisper Touch™ soft close hinge feature.

- PE
- APC
- APFC
- DE
- FPBE
- GD
- IF
- MI
- RD
- RTK
- TWR
- VTK
- WR
- XS

New



Vanity Wood Lazy Susan

(price book pg. G13)

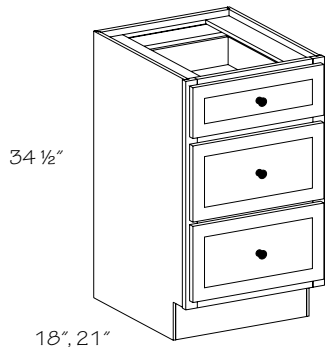
VEZR332134 R or L-WSS

Gray color coding indicates new product, size or code.

- Two pie-cut 28" diameter rotating shelves
 - Angled back provides clearance for installation
 - Doors are profiled on one long and two short edges and are connected with hinges
 - Face frame is scooped for hinge installation on full overlay door styles
 - Back Options (BEB and VGRB) **not** available
 - Contrasting Back Options (CBEB, CPLB, CVGR) **not** available
- Note:** Does **not** include Whisper Touch™ soft close hinge feature

- PE
- APC
- APFC
- DE
- FPFB
- GD
- IF
- MI
- RD
- RTK
- TWR
- VTK
- WR
- XS

Vanity Cabinets-G



Vanity Base Drawer

(price book pg. G13)

18" Deep

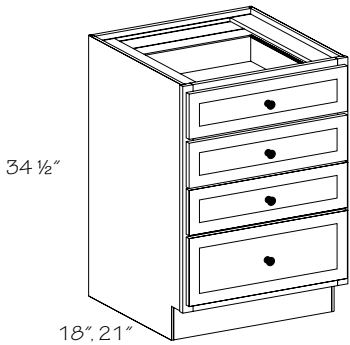
- VBD121834 -3**
- VBD151834 -3**
- VBD181834 -3**
- VBD211834 -3**
- VBD241834 -3**
- VBD271834 -3**

21" Deep

- VBD122134 -3**
- VBD152134 -3**
- VBD182134 -3**
- VBD212134 -3**
- VBD242134 -3**
- VBD272134 -3**

- One standard drawer
- Two deep drawers

- PE
- APC
- APFC
- DE
- FPFB
- GD
- IF
- MI
- RD
- RTK
- TWR
- VTK
- WR
- XS



Vanity Base Four Drawer

(price book pg. G15)

18" Deep

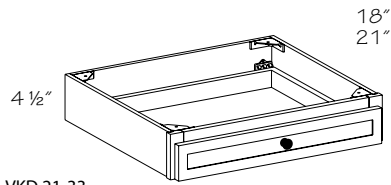
- VBD121834 -4**
- VBD151834 -4**
- VBD181834 -4**
- VBD211834 -4**
- VBD241834 -4**

21" Deep

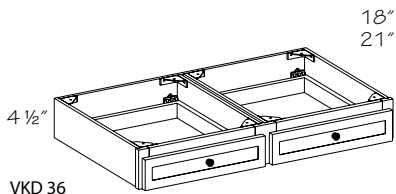
- VBD122134 -4**
- VBD152134 -4**
- VBD182134 -4**
- VBD212134 -4**
- VBD242134 -4**

- Three standard drawers
- One deep drawer

- PE
- APC
- APFC
- DE
- FPFB
- GD
- IF
- MI
- RD
- RTK
- TWR
- VTK
- WR
- XS



VKD 21-33



VKD 36

Vanity Knee Drawer

(price book pg. G15)

18" Deep
VKD2418
VKD2718
VKD3018
VKD3318
▲ VKD3618

21" Deep
VKD2421
VKD2721
VKD3021
VKD3321
▲ VKD3621

▲ Two drawers side by side

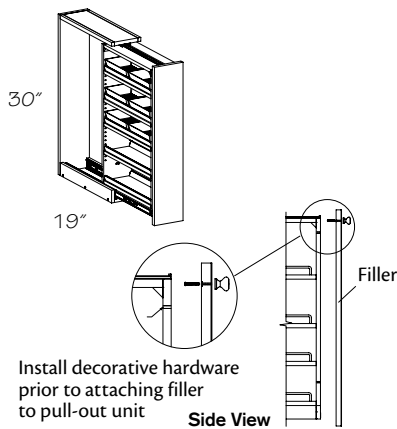
- Unit is designed for use between two Vanity Cabinets
- Slab drawer in all all door styles except Landis and Martel
- If DRPD option is selected, the drawer front will be 3/4" slab with matching door profile for Verona Square and Arch Maple
- **Not** trimmable
- ☆ End panels are 1/2" plywood with natural birch printed woodgrain laminate interior and exterior

☆	PE
●	APC
	APFC
	DE
	FPEB
	GD
	IF
	MI
●	RD
	RTK
	TWR
	VTK
	WR
●	XS

Vanity Filler Pull-out

(price book pg. G15)

VFP32130
VFP62130



Install decorative hardware prior to attaching filler to pull-out unit

Side View

Filler

- Quartersawn door styles will be supplied in plain sawn wood
- A filler overlay is recommended for full overlay door styles; must be ordered separately
- Recommended installation is between two cabinets
- Installation may also be made between a cabinet and a wall or a cabinet and an end panel
- Unit slides on full extension side-mount runners
- Four adjustable shelves, one fixed shelf
- Includes six clear plastic trays; replacements available. See Vanity Accessories section of this book.
- Filler is included, but unattached. Unit should be installed before removing shipping brace and attaching filler.
- No toe kick

	PE
	APC
	APFC
	DE
	FPEB
	GD
	IF
	MI
	RD
	RTK
	TWR
	VTK
	WR
	XS

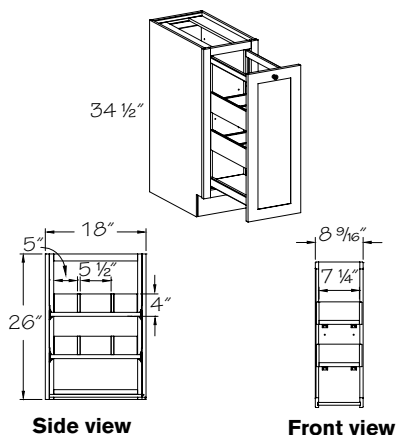
New

Vanity Base Pull-out

(price book pg. G15)

VBP122134 7 1/4" shelf width

Gray color coding indicates new product, size or code.

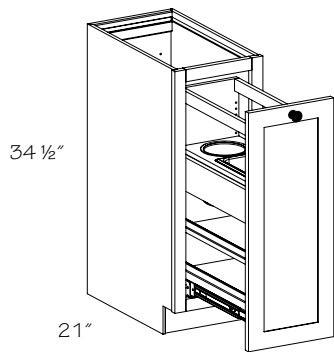


Side view

Front view

- One fixed wood shelf attached to the bottom of a full-height door
- Two adjustable shelves
- Two removable dividers in each adjustable shelf
- Unit slides on heavy duty full extension runners with integrated buffer

●	PE
●	APC
●	APFC
●	DE
●	FPEB
	GD
	IF
●	MI
	RD
●	RTK
	TWR
●	VTK
●	WR
●	XS



Vanity Base Pull-out Appliance

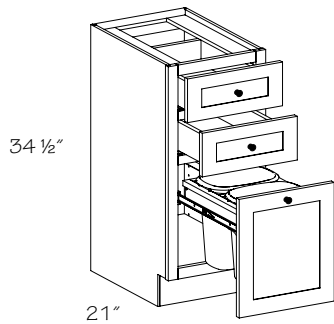
(price book pg. G15)

VPOA122134

- One fixed wood shelf attached to the bottom of a full-height door
- Two adjustable shelves
- Unit slides on full extension side-mount runners
- Includes two metal trays for curling irons, hair dryers, etc

- PE
- APC
- APFC
- DE
- FPFB
- GD
- IF
- MI
- RD
- RTK
- TWR
- VTK
- WR
- XS

New



Vanity Base Top Mount Wastebasket-Double

(price book pg. G17)

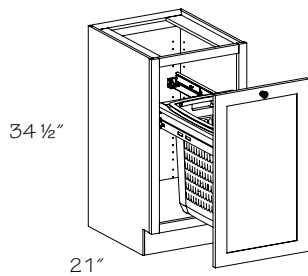
VBWBT152134

Gray color coding indicates new product, size or code.

- 10 quart capacity baskets
- Basket(s) are easily removable for emptying or cleaning
- Basket(s) rest in a natural maple plywood frame
- Frame slides on full extension glides

- PE
- APC
- APFC
- DE
- FPFB
- GD
- IF
- MI
- RD
- RTK
- TWR
- VTK
- WR
- XS

New



Vanity Base Hamper Top Mount

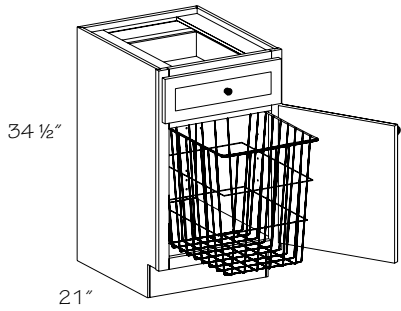
(price book pg. G17)

VHBT182134

Gray color coding indicates new product, size or code.

- Hamper is mold and mildew resistant white plastic
- Hamper is easily removable for emptying or cleaning
- Hamper has lid
- Frame slides on extra-extended full extension glides

- PE
- APC
- APFC
- DE
- FPFB
- GD
- IF
- MI
- RD
- RTK
- TWR
- VTK
- WR
- XS



Vanity Hamper Base

(price book pg. G17)(price book pg. G17)

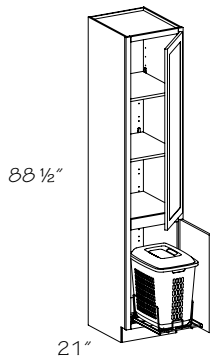
Specify R or L

VHB152134 R or L

VHB182134 R or L

- One standard drawer
- Epoxy coated pull-out hamper
- Hamper Dimensions:
11" W x 17" H x 19" D (15" base)
14" W x 17" H x 19" D (18" base)

- PE
- APC
- APFC
- DE
- FPEB
- GD
- IF
- MI
- RD
- RTK
- TWR
- VTK
- WR
- XS



Vanity Hamper Linen Cabinet 88 1/2" H

(price book pg. G17)

Specify R or L

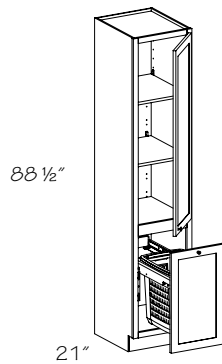
VHLC182188 R or L

Gray color coding indicates new product, size or code.

- Two adjustable, full-depth shelves
- Removable hamper
- Hamper slides on full extension glides
- Hamper is mold and mildew resistant white plastic
- Hamper has lid

- PE
- APC
- APFC
- DE
- FPEB
- GD
- IF
- MI
- RD
- RTK
- TWR
- VTK
- WR
- XS

New



Vanity Hamper Linen Cabinet Top Mount 88 1/2"

(price book pg. G17)

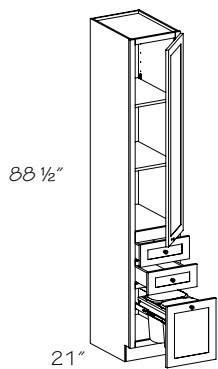
VHLC182188 R or L

Gray color coding indicates new product, size or code.

- Hamper is mold and mildew resistant white plastic
- Hamper is easily removable for emptying or cleaning
- Hamper has lid
- Frame slides on extra-extended full extension glides
- Two adjustable, full-depth shelves
- Shelves shipped separately

- PE
- APC
- APFC
- DE
- FPEB
- GD
- IF
- MI
- RD
- RTK
- TWR
- VTK
- WR
- XS

New



Vanity Linen Cabinet Top Mount Wastebasket-Double 88 1/2"

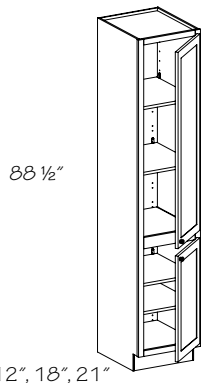
(price book pg. G19)

VLCWB152188 R or L-2

Gray color coding indicates new product, size or code.

- 10 quart capacity baskets
- Basket(s) rest in a natural maple plywood frame
- Basket(s) are easily removable for emptying or cleaning
- Frame slides on full extension glides
- Two standard drawers
- Two adjustable, full-depth shelves
- Shelves shipped separately

- PE
- APC
- APFC
- DE
- FPFB
- GD
- IF
- MI
- RD
- RTK
- TWR
- VTK
- WR
- XS



Vanity Linen Cabinet 88 1/2" H

(price book pg. G19)

Specify R or L
12" Deep

VLC151288 R or L

VLC181288 R or L

VLC211288 R or L

18" Deep

VLC151888 R or L

VLC181888 R or L

VLC211888 R or L

21" Deep

VLC152188 R or L

VLC182188 R or L

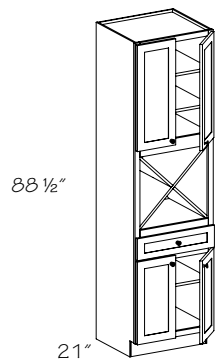
VLC212188 R or L

Gray color coding indicates new product, size or code.

- Shelves shipped separately

- PE
- APC
- APFC
- DE
- FPFB
- GD
- ☆ IF
- MI
- RD
- RTK
- TWR
- VTK
- WR
- XS

New



Vanity Linen Towel Storage

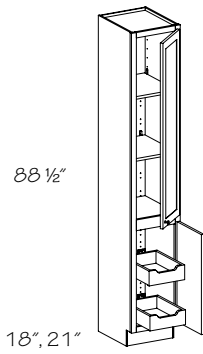
(price book pg. G19)

VTL242188

Gray color coding indicates new product, size or code.

- One full-depth shelf in lower section
- Two full-depth shelves in upper section
- One standard drawer

- PE
- ❖ APC
- APFC
- DE
- FPFB
- GD
- IF
- ❖ MI
- RD
- RTK
- TWR
- VTK
- WR
- XS



Vanity Linen Cabinet Deluxe Roll-out Tray (2)

(price book pg. G21)

Specify R or L
18" Deep

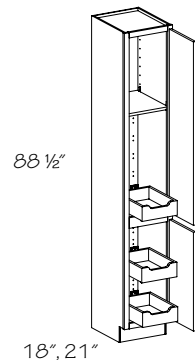
VLC151888 R or L-2DXROT
VLC181888 R or L-2DXROT
VLC211888 R or L-2DXROT

21" Deep

VLC152188 R or L-2DXROT
VLC182188 R or L-2DXROT
VLC212188 R or L-2DXROT

- Two adjustable shelves in upper section
- Shelves shipped separately

- PE
- APC
- APFC
- DE
- FPFB
- GD
- IF
- MI
- RD
- RTK
- TWR
- VTK
- WR
- XS



Vanity Linen Cabinet Deluxe Roll-out Tray (3)

(price book pg. G21)

Specify R or L
18" Deep

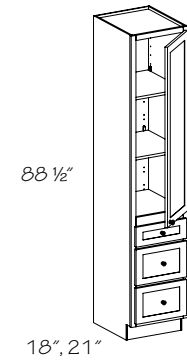
VLC151888 R or L-3DXROT
VLC181888 R or L-3DXROT
VLC211888 R or L-3DXROT

21" Deep

VLC152188 R or L-3DXROT
VLC182188 R or L-3DXROT
VLC212188 R or L-3DXROT

- One adjustable full-depth shelf in upper section
- Shelves shipped separately

- PE
- APC
- APFC
- DE
- FPFB
- GD
- IF
- MI
- RD
- RTK
- TWR
- VTK
- WR
- XS



Vanity Linen Cabinet Three Drawer

(price book pg. G21)

18" Deep

VLC151888 R or L-3
VLC181888 R or L-3

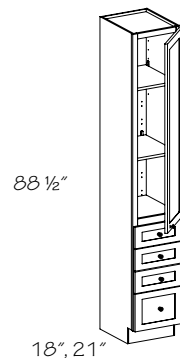
21" Deep

VLC152188 R or L-3
VLC182188 R or L-3

- Two adjustable shelves in upper section

- PE
- APC
- APFC
- DE
- FPFB
- GD
- IF
- MI
- RD
- RTK
- TWR
- VTK
- WR
- XS

New



Vanity Linen Cabinet Four Drawer

(price book pg. G23)

18" Deep

VLC151888 R or L-4
VLC181888 R or L-4

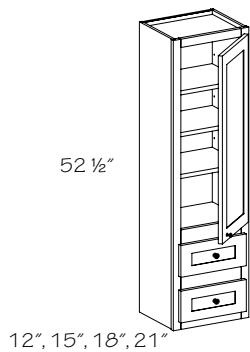
21" Deep

VLC152188 R or L-4
VLC182188 R or L-4

Gray color coding indicates new product, size or code.

- Three standard drawers
- Includes two adjustable shelves in upper section
- One deep drawer

- PE
- APC
- APFC
- DE
- FPFB
- GD
- IF
- MI
- RD
- RTK
- TWR
- VTK
- WR
- XS



Vanity Linen Short Two Drawer

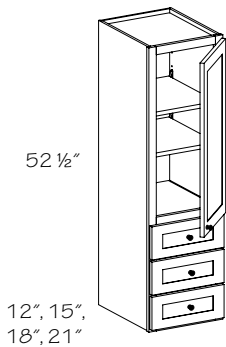
(price book pg. G23)

- VLC151252 R or L-2
- VLC151552 R or L-2
- VLC151852 R or L-2
- VLC152152 R or L-2

- Three adjustable shelves in upper section(s)
- ☆ Integrated Decorative End (DE) **not** available on mitered door styles with stiles and rails 2 3/8" or narrower

- PE
- APC
- APFC
- ☆ DE
- FPFB
- GD
- IF
- MI
- RD
- RTK
- TWR
- VTK
- WR
- XS

New



Vanity Linen Short Three Drawer

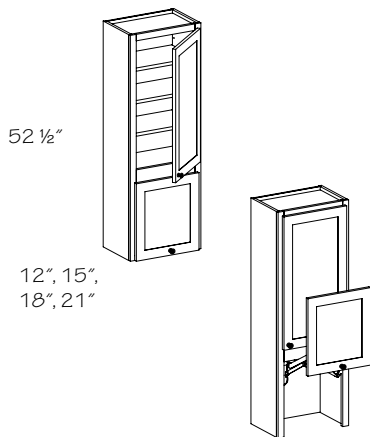
(price book pg. G23)

- VLC151252 R or L-3
- VLC151552 R or L-3
- VLC151852 R or L-3
- VLC152152 R or L-3

Gray color coding indicates new product, size or code.

- Two adjustable shelves in upper section
- ☆ Integrated Decorative End (DE) **not** available on mitered door styles with stiles and rails 2 3/8" or narrower

- PE
- APC
- APFC
- ☆ DE
- FPFB
- GD
- IF
- MI
- RD
- RTK
- TWR
- VTK
- WR
- XS



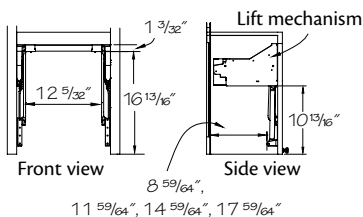
Vanity Vertical Lift Door Wall Cabinet

(price book pg. G23)

- VV181252 R or L
- VV181552 R or L
- VV181852 R or L
- VV182152 R or L

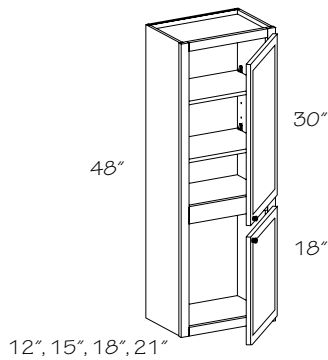
- Three adjustable shelves in upper section(s)
- Clearance from countertop to bottom of door is 20 1/32"
- Bottom door is always square
- Shelves shipped separately
- Void All Door and Drawer Front option (VDA) is **not** available
- ☆ Glass doors available for top doors only

- PE
- APC
- APFC
- DE
- FPFB
- ☆ GD
- IF
- MI
- RD
- RTK
- TWR
- VTK
- WR
- XS



Vanity Linen Cabinet 48" H

(price book pg. G23)



Specify R or L
12" Deep

VLC151248 R or L

VLC181248 R or L

15" Deep

VLC151548 R or L

VLC181548 R or L

18" Deep

VLC151848 R or L

VLC181848 R or L

21" Deep

VLC152148 R or L

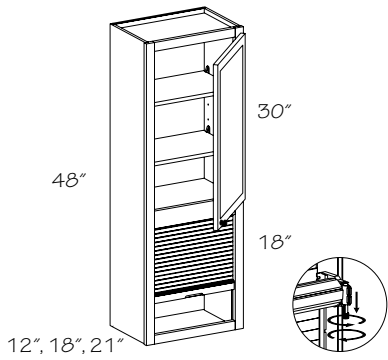
VLC182148 R or L

- Two adjustable shelves in upper section
- Bottom rail and floor
- Bottom door is always square

- PE
- APC
- APFC
- DE
- FPFB
- GD
- IF
- MI
- RD
- RTK
- TWR
- VTK
- WR
- XS

Vanity Linen Tambour

(price book pg. G25)



Specify R or L
12" Deep

VLT151248 R or L

VLT181248 R or L

18" Deep

VLT151848 R or L

VLT181848 R or L

21" Deep

VLT152148 R or L

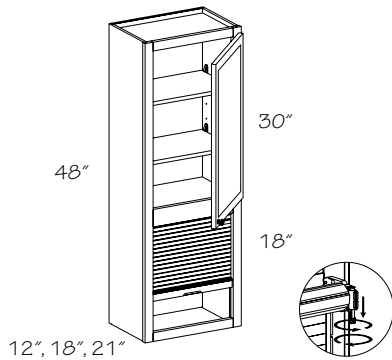
VLT182148 R or L

- Tambour opens to allow 13 1/2" access height
- Two adjustable shelves in upper section
- Tambour tension controlled with thumb screw adjustment
- Bottom rail
- No floor
- Quartersawn door styles will be supplied in plain sawn wood

- PE
- APC
- APFC
- DE
- FPFB
- GD
- IF
- MI
- RD
- RTK
- TWR
- VTK
- WR
- XS

Vanity Linen Tambour Mission

(price book pg. G25)



Specify R or L 12" Deep

VLT151248 R or L-M

VLT181248 R or L-M

18" Deep

VLT151848 R or L-M

VLT181848 R or L-M

21" Deep

VLT152148 R or L-M

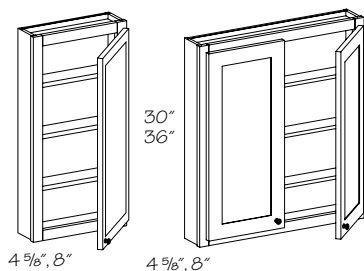
VLT182148 R or L-M

- Tambour opens to allow 13 1/2" access height
- Two adjustable shelves in upper section
- Bottom rail
- No floor
- Tambour tension controlled with thumb screw adjustment
- Pull and tambour are quartersawn oak
- Available in quartersawn oak door styles only

- ❖ PE
- APC
- APFC
- DE
- FPFB
- GD
- IF
- MI
- RD
- RTK
- TWR
- VTK
- WR
- XS

Vanity Wall Cabinet

(price book pg. G25)



4 5/8" deep

VW120430 R or L

VW150430 R or L

VW240430

VW270430

VW120436 R or L

VW150436 R or L

VW240436

VW270436

8" deep

VW120830 R or L

VW150830 R or L

VW240830

VW270830

VW120836 R or L

VW150836 R or L

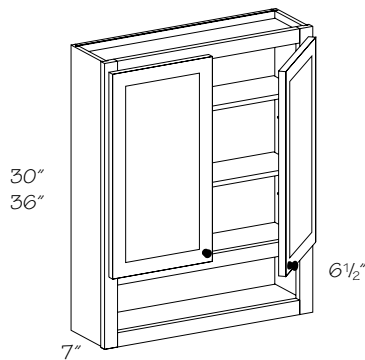
VW240836

VW270836

- Three adjustable 1/2" thick shelves
- Contrasting Back Options (CBEB, CPLB, CVGR) **not** available

- PE
- APC
- APFC
- DE
- FPFB
- GD
- IF
- MI
- RD
- RTK
- TWR
- VTK
- WR
- XS

Gray color coding indicates new product, size or code.



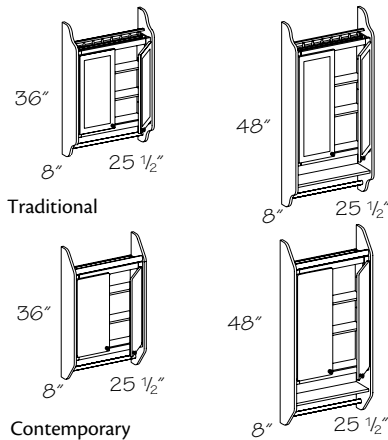
Vanity Wall Boutique

(price book pg. G25)

VWB2430
VWB2436

- Two adjustable shelves
- Replacement shelf available; specify WSVWB24

- PE
- APC
- APFC
- DE
- FPBE
- GD
- IF
- ❖ MI
- RD
- RTK
- TWR
- VTK
- WR
- XS



Vanity Wall Boutique w/Towel Bar

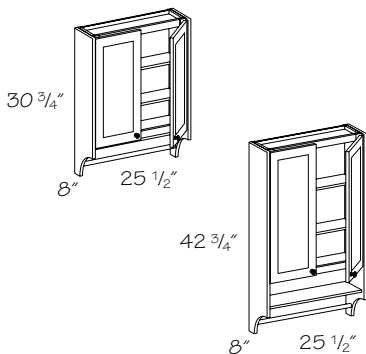
(price book pg. G27)

VWB2436 •C
VWB2448 •C
* **VWB2436 •T**
* **VWB2448 •T**

* Laminates are painted hardwood

- 3/4" solid wood or laminate end panels
- Two adjustable 1/2" thick shelves
- All wall boutiques have butt doors
- Quartersawn door styles will be supplied in plain sawn wood
- Contrasting Back Options (CBEB, CPLB, CVGR) **not** available

- PE
- APC
- APFC
- DE
- FPBE
- GD
- IF
- MI
- RD
- RTK
- TWR
- VTK
- WR
- XS



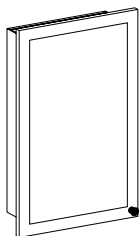
Vanity Wall Boutique Mission w/Towel Bar

(price book pg. G27)

VWB2436 •M
VWB2448 •M

- 3/4" quartersawn solid wood end panels
- Two adjustable 1/2" thick shelves
- All wall boutiques have butt doors
- Available in quartersawn oak door styles only
- Contrasting Back Options (CBEB, CPLB, CVGR) **not** available

- PE
- APC
- APFC
- DE
- FPBE
- GD
- IF
- MI
- RD
- RTK
- TWR
- VTK
- WR
- XS



Rough-in Dimensions

Cabinet	Width	Height	Depth
VWR1727-18	14 1/4"	18"	3 3/8"
VWR1727-24	14 1/4"	24"	3 3/8"

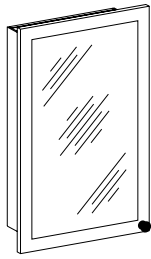
Vanity Wall-Recessed Mount

(price book pg. G27)

VWR1727-18
VWR1727-24

- Designed for recess installation
- Two adjustable 1/2" thick shelves
- Reversible (manufactured hinge left)
- Finger Pull Rout (FPR) is **not** available
- If ordered in an arched door style, it will be supplied square
- Door Sizes:
 - 1/2" Overlay = 17 1/2" x 28"
 - Full Overlay = 17 5/8" x 29 5/8"
- Contrasting Back Options (CBEB, CPLB, CVGR) **not** available

- PE
- APC
- APFC
- DE
- FPBE
- GD
- IF
- MI
- RD
- RTK
- TWR
- VTK
- WR
- XS



Rough-in Dimensions

Cabinet	Width	Height	Depth
MC1727-18	14 1/4"	18"	3 3/8"
MC1727-24	14 1/4"	24"	3 3/8"

Mirror Cabinet-Recessed Mount

(price book pg. G27)

MC1727-18
MC1727-24

- Designed for recess installation
- Two adjustable 1/2" thick shelves
- Reversible (manufactured hinge left)
- If ordered in an arched door style, it will be supplied square
- This cabinet door includes a representative profile that may **not** match the chosen door style exactly, but will blend with most
- Finger Pull Rout (FPR) is **not** available
- Door Size is 17" x 27 1/2" for all overlays
- Contrasting Back Options (CBEB, CPLB, CVGR) **not** available

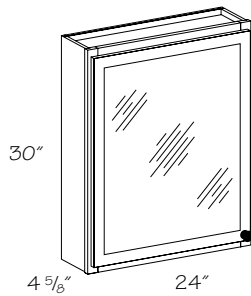
Note: Does **not** include Whisper Touch™ soft close hinge feature

- PE
- APC
- APFC
- DE
- FPFB
- GD
- IF
- MI
- RD
- RTK
- TWR
- VTK
- WR
- XS

Mirror Cabinet-Surface Mount

(price book pg. G29)

MC2430



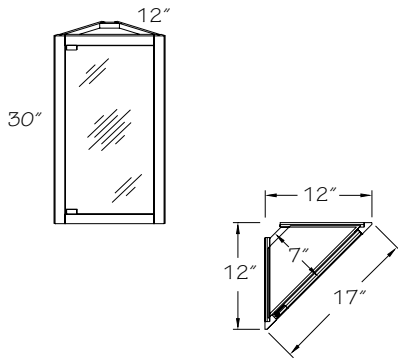
- Designed for surface mount installation
- Three adjustable 1/2" thick shelves
- Reversible (manufactured hinge left)
- If ordered in an arched door style, it will be supplied square
- Quartersawn door styles will be supplied in plain sawn wood
- Face frame has profiled outer edge
- Finger Pull Rout (FPR) is **not** available
- Contrasting Back Options (CBEB, CPLB, CVGR) **not** available

- PE
- APC
- APFC
- DE
- FPFB
- GD
- IF
- MI
- RD
- RTK
- TWR
- VTK
- WR
- XS

Vanity Mirror Angle Cabinet

(price book pg. G29)

VMA1230 -PB
VMA1230 -PC
VMA1230 -SN
VMA1230 -VB



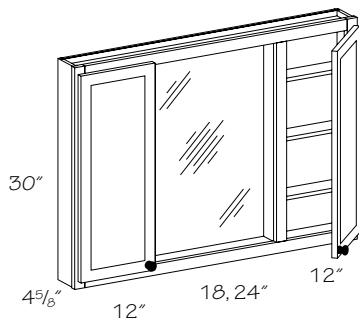
- Two adjustable 1/2" thick shelves
- Reversible (manufactured hinge left)
- Hinges and touch latch available in polished chrome (PC), polished brass (PB), satin nickel (SN) or Venetian bronze (VB)
- Laminates are painted hardwood
- Contrasting Back Options (CBEB, CPLB, CVGR) **not** available

- PE
- APC
- APFC
- DE
- FPFB
- GD
- IF
- MI
- RD
- RTK
- TWR
- VTK
- WR
- XS

Vanity Mirror Cabinet

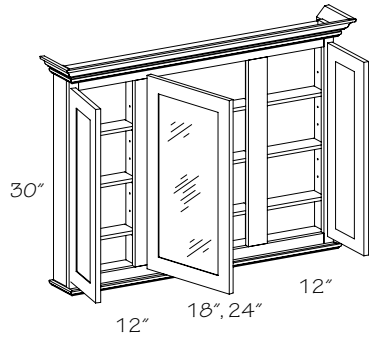
(price book pg. G29)

VMC4230
VMC4830



- Recessed center mirror
- Six adjustable 1/2" thick shelves
- Designed for surface mount installation
- Laminates are painted hardwood
- Contrasting Back Options (CBEB, CPLB, CVGR) **not** available

- PE
- APC
- APFC
- DE
- FPFB
- GD
- IF
- MI
- RD
- RTK
- TWR
- VTK
- WR
- XS



Vanity Mirror Cabinet Storage

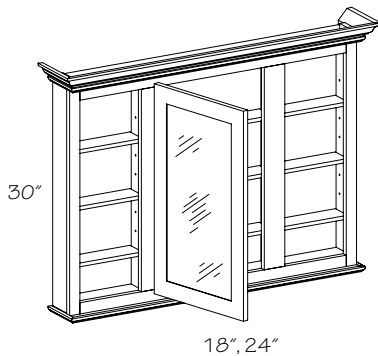
(price book pg. G29)

- VMCS4230 -ACM**
 - VMCS4830 -ACM**
 - VMCS4230 -CCM**
 - VMCS4830 -CCM**
 - VMCS4230 -LCM**
 - VMCS4830 -LCM**
 - VMCS4230 -LCVM**
 - VMCS4830 -LCVM**
 - * **VMCS4230 -LFDM**
 - * **VMCS4830 -LFDM**
 - VMCS4230 -T**
 - VMCS4830 -T**
- Solid wood frame, top and bottom plate
 - Nine adjustable 1/2" shelves
 - Trimmed with choice of Angle Crown Molding (ACM), Classic Crown Molding (CCM), Crown Molding (T), Large Cove Molding (LCVM) or Large Federal Molding (LFDM)
 - Molding is plain sawn wood in quartersawn door styles
 - Contrasting Back Options (CBEB, CPLB, CVGR) **not** available
- * Available in Full Overlay Cherry, Laminate and Maple door styles only

●	PE
●	APC
●	APFC
●	DE
●	FPEB
●	GD
●	IF
●	MI
●	RD
●	RTK
●	TWR
●	VTK
●	WR
●	XS

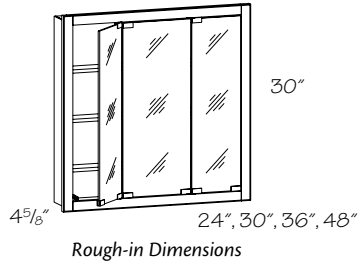
Vanity Mirror Cabinet Open

(price book pg. G31)



- VMCO4230 -ACM**
 - VMCO4830 -ACM**
 - VMCO4230 -CCM**
 - VMCO4830 -CCM**
 - VMCO4230 -LCM**
 - VMCO4830 -LCM**
 - VMCO4230 -LCVM**
 - VMCO4830 -LCVM**
 - * **VMCO4230 -LFDM**
 - * **VMCO4830 -LFDM**
 - VMCO4230 -T**
 - VMCO4830 -T**
- Solid wood frame, top and bottom plate
 - Nine adjustable 1/2" shelves
 - Trimmed with choice of Angle Crown Molding (ACM), Classic Crown Molding (CCM), Crown Molding (T), Large Cove Molding (LCVM) or Large Federal Molding (LFDM)
 - Molding is plain sawn wood in quartersawn door styles
 - Contrasting Back Options (CBEB, CPLB, CVGR) **not** available
- * Available in Full Overlay Cherry, Laminate and Maple door styles only

●	PE
●	APC
●	APFC
●	DE
●	FPEB
●	GD
●	IF
◇	MI
●	RD
●	RTK
●	TWR
●	VTK
●	WR
●	XS



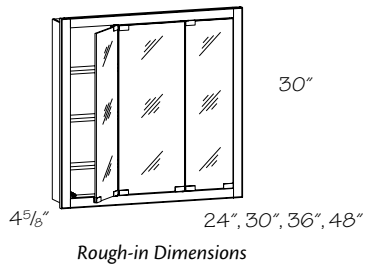
Cabinet	Width	Height	Depth
TV2430	23 1/16"	28 3/4"	3 7/8"
TV3030	29 1/16"	28 3/4"	3 7/8"
TV3630	35 1/16"	28 3/4"	3 7/8"
TV4830	47 1/16"	28 3/4"	3 7/8"

Tri View Mirror

(price book pg. G31)

- **TV2430 -PB**
 - **TV3030 -PB**
 - **TV3630 -PB**
 - **TV4830 -PB**
 - **TV2430 -PC**
 - **TV3030 -PC**
 - **TV3630 -PC**
 - **TV4830 -PC**
 - **TV2430 -SN**
 - **TV3030 -SN**
 - **TV3630 -SN**
 - **TV4830 -SN**
 - **TV2430 -VB**
 - **TV3030 -VB**
 - **TV3630 -VB**
 - **TV4830 -VB**
- For surface mount or recess installation
 - Three adjustable 1/2" thick shelves
 - Hinges and touch latch available in polished chrome (PC), polished brass (PB), satin nickel (SN) or Venetian bronze (VB)
 - Laminates are painted hardwood
 - Quartersawn door styles will be supplied in plain sawn wood

● PE
● APC
● APFC
DE
● FPEB
GD
IF
● MI
RD
RTK
TWR
VTK
WR
XS



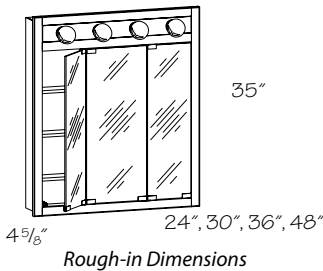
Cabinet	Width	Height	Depth
TV2430	23 1/16"	28 3/4"	3 7/8"
TV3030	29 1/16"	28 3/4"	3 7/8"
TV3630	35 1/16"	28 3/4"	3 7/8"
TV4830	47 1/16"	28 3/4"	3 7/8"

Tri View Mirror Mission

(price book pg. G33)

- **TV2430 -PB-M**
 - **TV3030 -PB-M**
 - **TV3630 -PB-M**
 - **TV4830 -PB-M**
 - **TV2430 -PC-M**
 - **TV3030 -PC-M**
 - **TV3630 -PC-M**
 - **TV4830 -PC-M**
 - **TV2430 -SN-M**
 - **TV3030 -SN-M**
 - **TV3630 -SN-M**
 - **TV4830 -SN-M**
 - **TV2430 -VB-M**
 - **TV3030 -VB-M**
 - **TV3630 -VB-M**
 - **TV4830 -VB-M**
- Hinges and touch latch available in polished chrome (PC), polished brass (PB), satin nickel (SN) or Venetian bronze (VB)
 - Three adjustable shelves
 - For surface mount or recess installation
 - Available in quartersawn oak door styles only

● PE
● APC
● APFC
DE
● FPEB
GD
IF
● MI
RD
RTK
TWR
VTK
WR
XS



Cabinet	Width	Height	Depth	# lights
LTV2435	23 1/16"	33 3/4"	3 7/8"	3
LTV3035	29 1/16"	33 3/4"	3 7/8"	4
LTV3635	35 1/16"	33 3/4"	3 7/8"	5
LTV4835	47 1/16"	33 3/4"	3 7/8"	7

Lighted Tri View Mirror

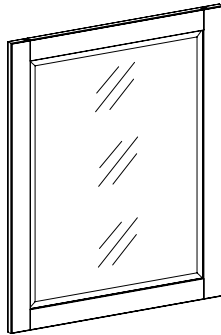
(price book pg. G33)

- LTV2435 •PB
- LTV3035 •PB
- LTV3635 •PB
- LTV4835 •PB
- LTV2435 •PC
- LTV3035 •PC
- LTV3635 •PC
- LTV4835 •PC
- LTV2435 •SN
- LTV3035 •SN
- LTV3635 •SN
- LTV4835 •SN
- LTV2435 •VB
- LTV3035 •VB
- LTV3635 •VB
- LTV4835 •VB

- For surface mount or recess installation
- Three adjustable 1/2" thick shelves
- Light bar, hinges and touch latch available in polished chrome (PC), polished brass (PB), satin nickel (SN) or venetian Bronze (VB)
- Light bulbs **not** included
- Laminates are painted hardwood
- Quartersawn door styles will be supplied in plain sawn wood

- PE
- APC
- APFC
- DE
- FPEB
- GD
- IF
- MI
- RD
- RTK
- TWR
- VTK
- WR
- XS

New



Flat Framed Beveled Mirror

(price book pg. G33)

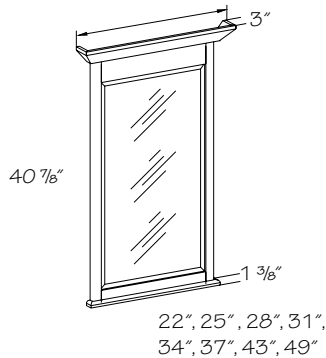
- FM2130 •F
- FM2430 •F
- FM2136 •F
- FM2436 •F

Gray color coding indicates new product, size or code.

- Rustic door styles will be supplied in standard wood species

- PE
- APC
- APFC
- DE
- FPEB
- GD
- IF
- MI
- RD
- RTK
- TWR
- VTK
- WR
- XS

24 7/8", 27 7/8", 30 7/8", 33 7/8",
36 7/8", 39 7/8", 45 7/8", 51 7/8"



Framed Mirror-Angle Crown

(price book pg. G35)

- FM2136 •ACM
- FM2436 •ACM
- FM2736 •ACM
- FM3036 •ACM
- FM3336 •ACM
- FM3636 •ACM
- FM4236 •ACM
- FM4836 •ACM

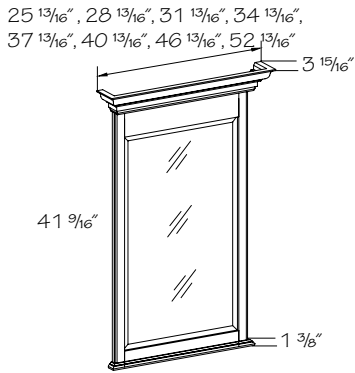
Gray color coding indicates new product, size or code.

- Solid wood
- Decorative Angle Crown Molding (ACM8)
- Routed bottom plate
- Beveled mirror
- Quartersawn door styles will be supplied in plain sawn wood



Consider using a Replacement Door with a Mirage (MIR) glass insert for a wider range of sizes when selecting a mirror.

- PE
- APC
- APFC
- DE
- FPEB
- GD
- IF
- MI
- RD
- RTK
- TWR
- VTK
- WR
- XS



22 1/4", 25 1/4", 28 1/4", 31 1/4",
34 1/4", 37 1/4", 43 1/4", 49 1/4"

Framed Mirror-Classic

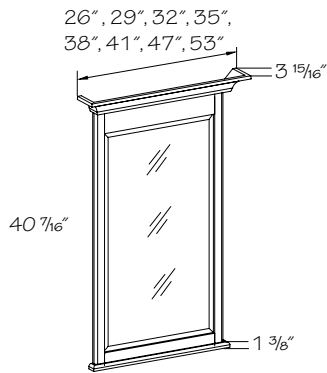
(price book pg. G35)

- FM2136 -CCM**
- FM2436 -CCM**
- FM2736 -CCM**
- FM3036 -CCM**
- FM3336 -CCM**
- FM3636 -CCM**
- FM4236 -CCM**
- FM4836 -CCM**

- Solid wood frame, top and bottom plate
- Decorative Classic Crown Molding (CCM8)
- Routed top and bottom plate
- Beveled mirror
- Quartersawn door styles will be supplied in plain sawn wood

Gray color coding indicates new product, size or code.

PE
APC
APFC
DE
FPEB
GD
IF
MI
RD
RTK
TWR
VTK
WR
XS



22", 25", 28", 31",
34", 37", 43", 49"

Framed Mirror-Large Cove

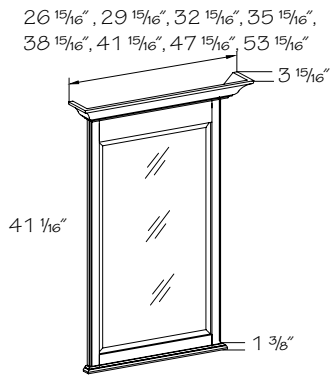
(price book pg. G35)

- FM2136 -LCVM**
- FM2436 -LCVM**
- FM2736 -LCVM**
- FM3036 -LCVM**
- FM3336 -LCVM**
- FM3636 -LCVM**
- FM4236 -LCVM**
- FM4836 -LCVM**

- Solid wood frame, top and bottom plate
- Decorative Large Cove Molding (LCVM8)
- Routed top and bottom plate
- Beveled mirror
- Quartersawn door styles will be supplied in plain sawn wood

Gray color coding indicates new product, size or code.

PE
APC
APFC
DE
FPEB
GD
IF
MI
RD
RTK
TWR
VTK
WR
XS



22 1/4", 25 1/4", 28 1/4", 31 1/4",
34 1/4", 37 1/4", 43 1/4", 49 1/4"

Framed Mirror-Large Crown

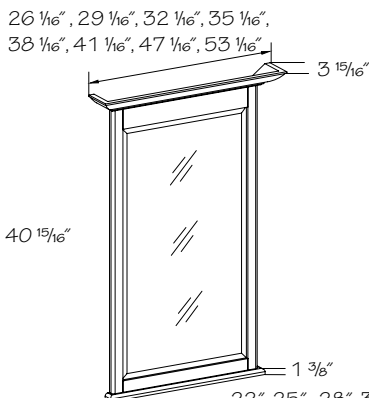
(price book pg. G35)

- FM2136 -LCM**
- FM2436 -LCM**
- FM2736 -LCM**
- FM3036 -LCM**
- FM3336 -LCM**
- FM3636 -LCM**
- FM4236 -LCM**
- FM4836 -LCM**

- Solid wood frame, top and bottom plate
- Decorative Large Crown Molding (LCM8)
- Routed top and bottom plate
- Beveled mirror
- Quartersawn door styles will be supplied in plain sawn wood

Gray color coding indicates new product, size or code.

PE
APC
APFC
DE
FPEB
GD
IF
MI
RD
RTK
TWR
VTK
WR
XS



22", 25", 28", 31",
34", 37", 43", 49"

Framed Mirror-Large Federal

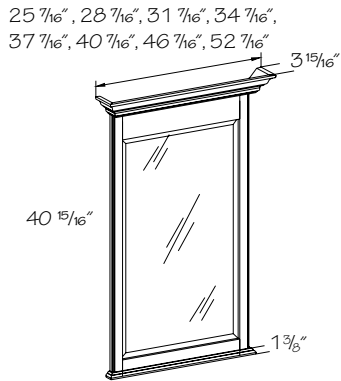
(price book pg. G37)

- FM2136 -LFDM**
- FM2436 -LFDM**
- FM2736 -LFDM**
- FM3036 -LFDM**
- FM3336 -LFDM**
- FM3636 -LFDM**
- FM4236 -LFDM**
- FM4836 -LFDM**

- Solid wood frame, top and bottom plate
- Decorative Large Federal Molding (LFDM8)
- Routed top and bottom plate
- Beveled mirror
- Available in Full Overlay Cherry, Laminate and Maple door styles only
- Laminates are painted hardwood

Gray color coding indicates new product, size or code.

PE
APC
APFC
DE
FPEB
GD
IF
MI
RD
RTK
TWR
VTK
WR
XS



22 1/4\", 25 1/4\", 28 1/4\", 31 1/4\",
34 1/4\", 37 1/4\", 43 1/4\", 49 1/4\"

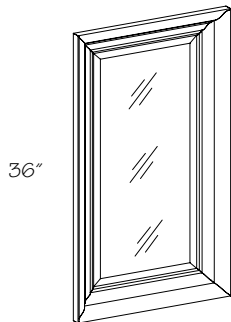
Framed Mirror-Traditional

(price book pg. G37)

- FM2136 -T**
 - FM2436 -T**
 - FM2736 -T**
 - FM3036 -T**
 - FM3336 -T**
 - FM3636 -T**
 - FM4236 -T**
 - FM4836 -T**
- Solid wood frame, top and bottom plate
 - Decorative Crown Molding (CM8)
 - Routed top and bottom plate
 - Beveled mirror
 - Quartersawn door styles will be supplied in plain sawn wood

Gray color coding indicates new product, size or code.

PE
APC
APFC
DE
FPEB
GD
IF
MI
RD
RTK
TWR
VTK
WR
XS



21\", 24\", 27\", 30\", 33\", 36\"

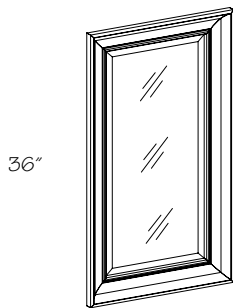
Portrait Framed Mirror-Classic

(price book pg. G37)

- PFM2136 -CCM**
 - PFM2436 -CCM**
 - PFM2736 -CCM**
 - PFM3036 -CCM**
 - PFM3336 -CCM**
 - PFM3636 -CCM**
 - PFM4236 -CCM**
 - PFM4836 -CCM**
- Decorative Classic Crown Molding (CCM8)
 - Beveled mirror
 - Quartersawn door styles will be supplied in plain sawn wood

Gray color coding indicates new product, size or code.

PE
APC
APFC
DE
FPEB
GD
IF
MI
RD
RTK
TWR
VTK
WR
XS



21\", 24\", 27\", 30\", 33\", 36\"

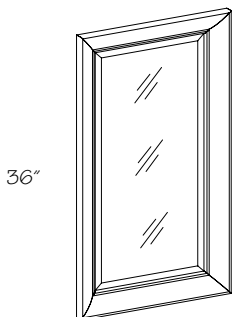
Portrait Framed Mirror-Cove

(price book pg. G37)

- PFM2136 -LCVM**
 - PFM2436 -LCVM**
 - PFM2736 -LCVM**
 - PFM3036 -LCVM**
 - PFM3336 -LCVM**
 - PFM3636 -LCVM**
 - PFM4236 -LCVM**
 - PFM4836 -LCVM**
- Decorative Large Cove Molding (LCVM8)
 - Beveled mirror
 - Quartersawn door styles will be supplied in plain sawn wood

Gray color coding indicates new product, size or code.

PE
APC
APFC
DE
FPEB
GD
IF
MI
RD
RTK
TWR
VTK
WR
XS



21\", 24\", 27\", 30\", 33\", 36\"

Portrait Framed Mirror-Federal

(price book pg. G37)

- PFM2136 -LFDM**
 - PFM2436 -LFDM**
 - PFM2736 -LFDM**
 - PFM3036 -LFDM**
 - PFM3336 -LFDM**
 - PFM3636 -LFDM**
 - PFM4236 -LFDM**
 - PFM4836 -LFDM**
- Decorative Large Federal Molding (LFDM8)
 - Beveled mirror
 - Available in Full Overlay Cherry, Laminate and Maple door styles only
 - Laminates are painted hardwood

Gray color coding indicates new product, size or code.

PE
APC
APFC
DE
FPEB
GD
IF
MI
RD
RTK
TWR
VTK
WR
XS

Decorative Accent Vanities

Construction Options and Modifications

Available in full overlay door styles only.

All Decorative Accent Vanities come with a matching 1/2" plywood toe kick as standard.

Decorative Skirts add 1 5/16" to the frame width

- APC – All Plywood Construction
- DE – Integrated Decorative End
- FPEB – Furniture Plywood Ends
- GD – Glass Doors
- MI – Matching Interior
- RD – Reduced Depth
- RTK – Recessed Toe Kick
- TWR – Top Wide Rail
- VTK – Void Toe Kick
- WR – Wide Bottom Rail
- XS – Extended Stile

VCDF	60	18	34	•S1
code	width	depth	height	series

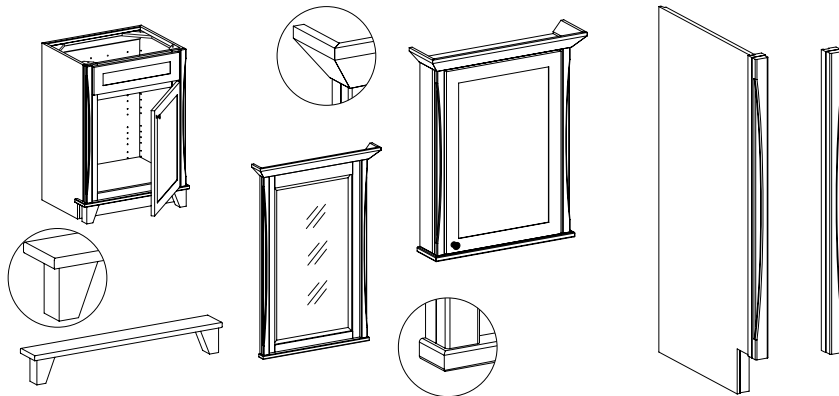
Material dimensions may be nominal based on lumber industry standards.

Specifications subject to change without notice.

Vanity Cabinets-G

New

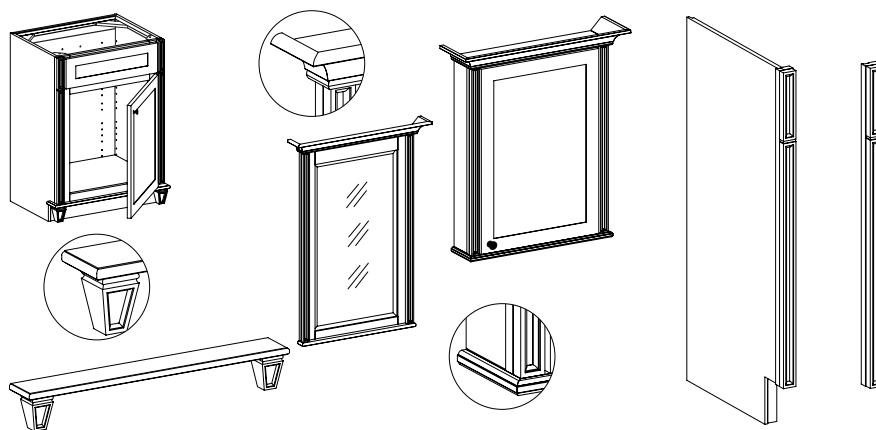
Montrose Collection (S1)



- APC
- DE
- FPEB
- GD
- MI
- RD
- RTK
- TWR
- VTK
- WR
- XS

- This collection offers soft curved lines and tapered feet that give the flexibility to take the room from contemporary to casual farmhouse or craftsman styles.
- Angle Crown Molding (ACM) is applied to tops of Vanity Walls and Mirrors; a solid wood plate with eased edges is applied to the bottom
- 1 1/2" side accents are softly curved and chamfered
- Toe kick accent includes 3/4" plate with tapered legs
- Simple, understated, clean line door styles are recommended to achieve the best design aesthetics.

New

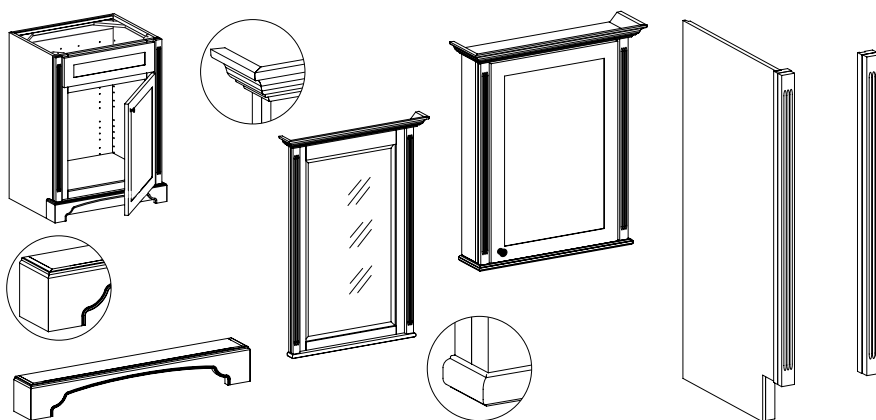
Bayshore Collection (S3)

APC
DE
FPEB
GD
MI
RD
RTK
TWR
VTK
WR
XS

- The carved linear column detail and tapered feet are reminiscent of classic, fine furniture design
- Large Cove Molding (LCVM) is applied to tops of Vanity Walls and Mirrors; a solid wood plate with a single bead edge is applied to the bottom
- 1 1/2" carved linear column side accents
- Toe kick accent includes 3/4", single bead edged plate, and carved details on tapered legs
- Door style and finish combinations will drive the styling of these pieces from soft modern to classic

Vanity Cabinets-G

New

Cologne Collection (S2)

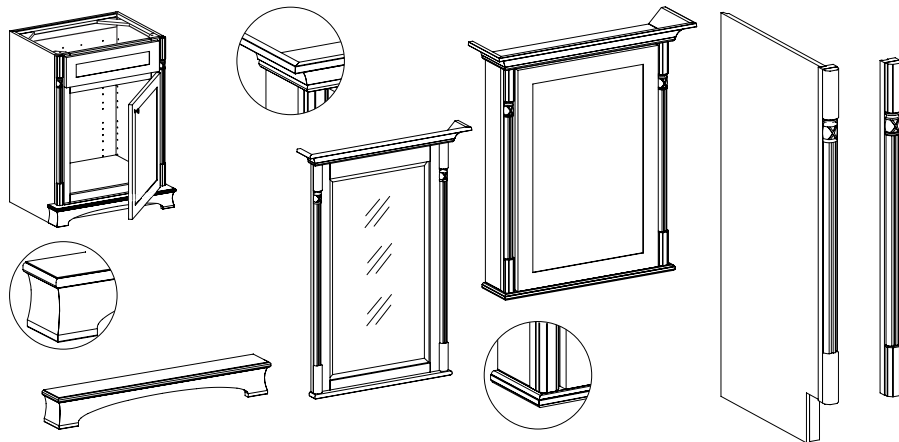
APC
DE
FPEB
GD
MI
RD
RTK
TWR
VTK
WR
XS

- The classic fluting detail of this style offers the formality of a traditional design aesthetic
- Crown Molding (CM) is applied to tops of Vanity Walls and Mirrors; a solid wood plate with a single bead edge is applied to the bottom
- 1 1/2" fluted side accents
- Toe kicks feature a formal, architectural skirt with a beaded edge
- Raised panel door styles with more details, and glazed finishes highlight the fluting and bead details of this style

New

Prescott Collection (S4)

- APC
- DE
- FPEB
- GD
- MI
- RD
- RTK
- TWR
- VTK
- WR
- XS

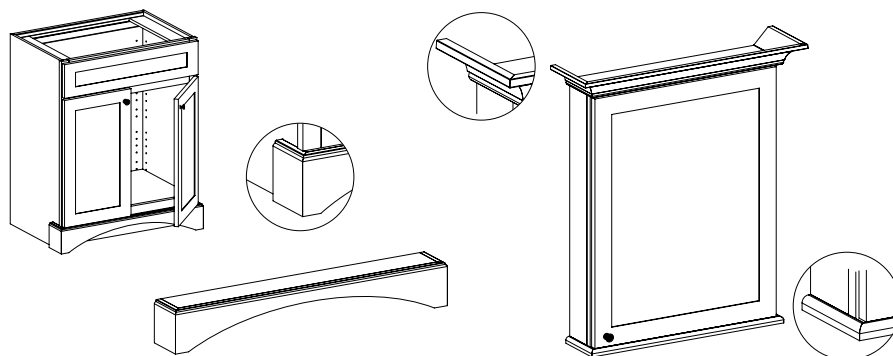


- Elegant timeless details and the curved skirt create a heritage inspired design
- Large Cove Molding (LCVM) is applied to tops of Vanity Walls and Mirrors; a solid wood plate with a single bead edge is applied to the bottom
- 1 1/2" carved ornamental side accents
- Toe kicks feature a flared valence style skirt
- Raised panel door styles with more details, and glazed finishes highlight the ornate features of these accents

New

Fairfield Collection (S5)

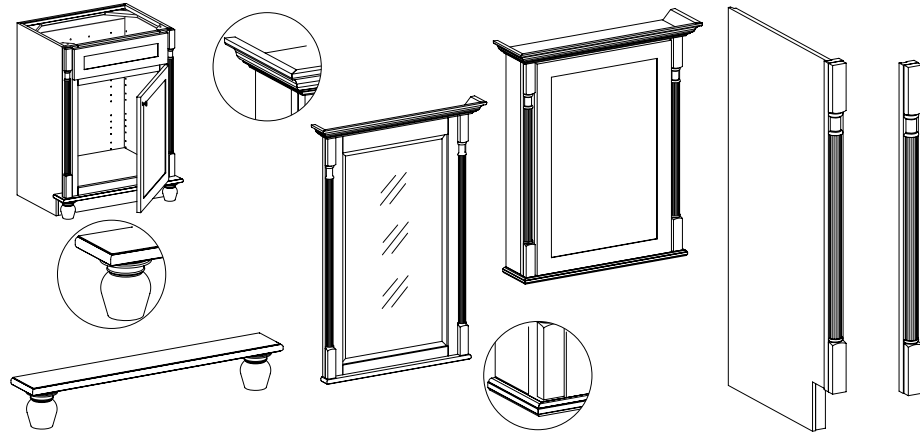
- APC
- DE
- FPEB
- GD
- MI
- RD
- RTK
- TWR
- VTK
- WR
- XS



- The clean lines and cove valance give this collection universal appeal
- Large Cove Molding (LCVM) is applied to tops of Vanity Walls and Mirrors; a solid wood plate with a single bead edge is applied to the bottom
- FM.LCVM is correct framed mirror to use when matching this series
- No side accents
- Toe kicks feature a simple, yet sophisticated cove skirt
- For an uncomplicated look, choose door styles with a recessed center panel in a simple stained finish; or for a more refined or elegant appearance, select raised panel door styles and use a glazed finish to highlight the details

New

Weston Collection (S6)

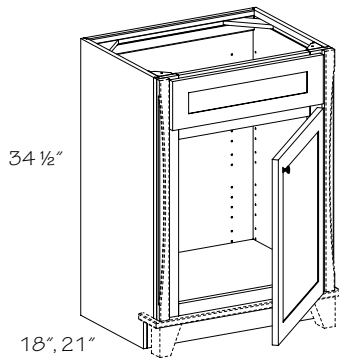


APC
DE
FPEB
GD
MI
RD
RTK
TWR
VTK
WR
XS

- The reeded detail on the decorative accents are a great addition to a casual or coastal design aesthetic
- Crown Molding (CM) is applied to tops of Vanity Walls and Mirrors; a solid wood plate with a single bead edge is applied to the bottom
- 1 1/2" reeded side accents
- Toe kick accent includes 3/4", single bead edged plate, and apple legs
- This style pairs well with the simple lines of recessed door styles and a stained finish, or add an upcountry twist by selecting a raised panel door style with a glazed finish

Vanity Cabinets-G

New



Vanity Sink Base Single Door w/Decorative Accents

(price book pg. G47)

Montrose

VSB241834 R or L-S1

VSB242134 R or L-S1

Cologne

VSB241834 R or L-S2

VSB242134 R or L-S2

Bayshore

VSB241834 R or L-S3

VSB242134 R or L-S3

Prescott

VSB241834 R or L-S4

VSB242134 R or L-S4

Weston

VSB241834 R or L-S6

VSB242134 R or L-S6

- Single door and drawer front
- Optional Utensil Tray Kits (UTK and SUTK) are available
- Optional Door Storage Unit (SBDSU) is available
- Available in Full Overlay Cherry, Laminate and Maple door styles only
- Laminates are painted hardwood

● APC
● DE
❖ FPEB
● GD
● MI
● RD
● RTK
● TWR
● VTK
● WR
● XS

Gray color coding indicates new product, size or code.



Vanity Sink Base Double Door w/Decorative Accents

(price book pg. G49, G51)

- APC
- DE
- ❖ FPEB
- GD
- MI
- RD
- RTK
- TWR
- VTK
- WR
- XS

Monrose

- ▲ VSB271834 -S1
- ▲ VSB301834 -S1
- VSB331834 -S1
- VSB361834 -S1
- VSB391834 -S1
- ▲ VSB272134 -S1
- ▲ VSB302134 -S1
- VSB332134 -S1
- VSB362134 -S1
- VSB392134 -S1

- Single drawer front
- Optional Utensil Tray Kits (UTK and SUTK) are available
- Optional Door Storage Unit (SBDSU) is available
- Available in Full Overlay Cherry, Laminate and Maple door styles only
- Skirt ships separately
- Laminates are painted hardwood

Cologne

- ▲ VSB271834 -S2
- ▲ VSB301834 -S2
- VSB331834 -S2
- VSB361834 -S2
- VSB391834 -S2
- ▲ VSB272134 -S2
- ▲ VSB302134 -S2
- VSB332134 -S2
- VSB362134 -S2
- VSB392134 -S2

Bayshore

- ▲ VSB271834 -S3
- ▲ VSB301834 -S3
- VSB331834 -S3
- VSB361834 -S3
- VSB391834 -S3
- ▲ VSB272134 -S3
- ▲ VSB302134 -S3
- VSB332134 -S3
- VSB362134 -S3
- VSB392134 -S3

Prescott

- ▲ VSB271834 -S4
- ▲ VSB301834 -S4
- VSB331834 -S4
- VSB361834 -S4
- VSB391834 -S4
- ▲ VSB272134 -S4
- ▲ VSB302134 -S4
- VSB332134 -S4
- VSB362134 -S4
- VSB392134 -S4

Fairfield

- ▲ VSB241834 -S5
- ▲ VSB271834 -S5
- VSB301834 -S5
- VSB331834 -S5
- VSB361834 -S5
- ※ VSB391834 -S5
- ▲ VSB242134 -S5
- ▲ VSB272134 -S5
- VSB302134 -S5
- VSB332134 -S5
- VSB362134 -S5
- ※ VSB392134 -S5

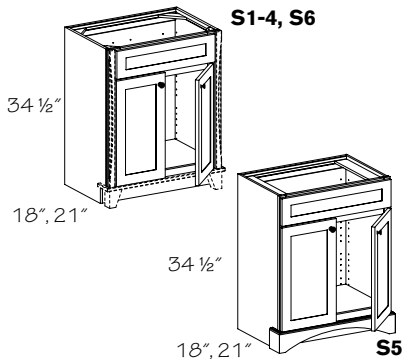
Weston

- ▲ VSB271834 -S6
- ▲ VSB301834 -S6
- VSB331834 -S6
- VSB361834 -S6
- VSB391834 -S6
- ▲ VSB272134 -S6
- ▲ VSB302134 -S6
- VSB332134 -S6
- VSB362134 -S6
- VSB392134 -S6

▲ Sink Base Door Storage Unit (SBDSU) **not** available

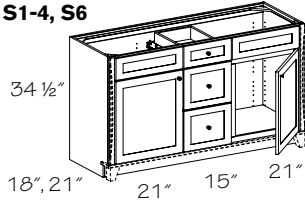
※ 3" center stile

Gray color coding indicates new product, size or code.

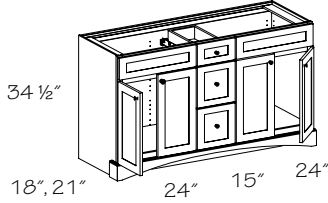


New

S1-4, S6



S5



Vanity Sink Base Three Drawer w/Decorative Accents

(price book pg. G51)

Montrose

VSB601834 -3-S1

VSB602134 -3-S1

Cologne

VSB601834 -3-S2

VSB602134 -3-S2

Bayshore

VSB601834 -3-S3

VSB602134 -3-S3

Prescott

VSB601834 -3-S4

VSB602134 -3-S4

Fairfield

*▲ **VS**B601834 -3-S5

*▲ **VS**B602134 -3-S5

Weston

VSB601834 -3-S6

VSB602134 -3-S6

* Two pair of butt doors

▲ Sink Base Door Storage Unit (SBDSU) **not** available

Gray color coding indicates new product, size or code.

- Laminates are painted hardwood
- Three drawer stack in center
- One standard drawer
- Two deep drawers
- Scoop Top Drawer (STDW) Option available
- Optional Door Storage Unit (SBDSU) is available
- Skirt ships separately
- Available in Full Overlay Cherry, Laminate and Maple door styles only

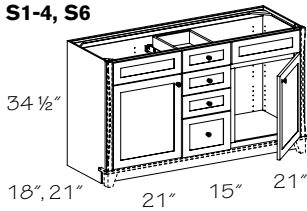
- APC
- DE
- ◆ FP
- GD
- MI
- RD
- RTK
- TWR
- VTK
- WR
- XS



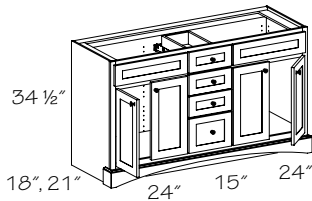
Be sure to account for the 1-1/2" decorative accent on the right and left end of the face frame to ensure the sink vessel is centered over the cabinet doors on decorative collections S1 - S4 and S6. The S5 series has no side accents and no adjustments are necessary.

New

S1-4, S6



S5



Vanity Sink Base Four Drawer w/Decorative Accents

(price book pg. G53)

Montrose

VSB601834 -4-S1

VSB602134 -4-S1

Cologne

VSB601834 -4-S2

VSB602134 -4-S2

Bayshore

VSB601834 -4-S3

VSB602134 -4-S3

Prescott

VSB601834 -4-S4

VSB602134 -4-S4

Fairfield

*▲ **VS**B601834 -4-S5

*▲ **VS**B602134 -4-S5

Weston

VSB601834 -4-S6

VSB602134 -4-S6

* Two pair of butt doors

▲ Sink Base Door Storage Unit (SBDSU) **not** available

Gray color coding indicates new product, size or code.

- Laminates are painted hardwood
- Four drawer stack in center
- Three standard drawers
- One deep drawer
- Skirt ships separately
- Scoop Top Drawer (STDW) Option available
- Optional Door Storage Unit (SBDSU) is available
- Available in Full Overlay Cherry, Laminate and Maple door styles only

- APC
- DE
- ◆ FP
- GD
- MI
- RD
- RTK
- TWR
- VTK
- WR
- XS



Be sure to account for the 1-1/2" decorative accent on the right and left end of the face frame to ensure the sink vessel is centered over the cabinet doors on decorative collections S1 - S4 and S6. The S5 series has no side accents and no adjustments are necessary.

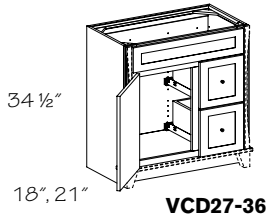


Vanity Combination Drawer w/Decorative Accents (2)

(price book pg. G55, G57, G59)

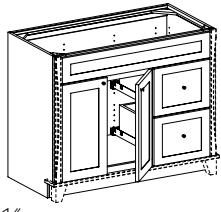
- APC
- DE
- ◆ FPED
- GD
- MI
- RD
- RTK
- TWR
- VTK
- WR
- XS

S1-S4, S6



VCD27-36

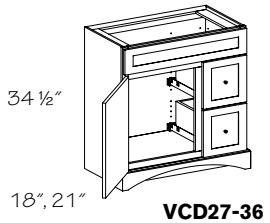
34 1/2"



VCD42

18", 21"

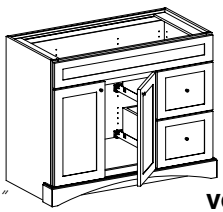
S5



VCD27-36

18", 21"

34 1/2"



VCD42

18", 21"

Drawers Left Montrose	Drawer-Door widths	Drawers Right Montrose	Drawer-Door widths
▲ VCD271834 DL2-S1	12"-12"	▲ VCD271834 DR2-S1	12"-12"
VCD301834 DL2-S1	12"-15"	VCD301834 DR2-S1	15"-12"
VCD331834 DL2-S1	12"-18"	VCD331834 DR2-S1	18"-12"
VCD361834 DL2-S1	12"-21"	VCD361834 DR2-S1	21"-12"
▲ VCD421834 DL2-S1	15"-24"	▲ VCD421834 DR2-S1	24"-15"
▲ VCD272134 DL2-S1	12"-12"	▲ VCD272134 DR2-S1	12"-12"
VCD302134 DL2-S1	12"-15"	VCD302134 DR2-S1	15"-12"
VCD332134 DL2-S1	12"-18"	VCD332134 DR2-S1	18"-12"
VCD362134 DL2-S1	12"-21"	VCD362134 DR2-S1	21"-12"
▲ VCD422134 DL2-S1	15"-24"	▲ VCD422134 DR2-S1	24"-15"
<i>Cologne</i>			
▲ VCD271834 DL2-S2	12"-12"	▲ VCD271834 DR2-S2	12"-12"
VCD301834 DL2-S2	12"-15"	VCD301834 DR2-S2	15"-12"
VCD331834 DL2-S2	12"-18"	VCD331834 DR2-S2	18"-12"
VCD361834 DL2-S2	12"-21"	VCD361834 DR2-S2	21"-12"
▲ VCD421834 DL2-S2	15"-24"	▲ VCD421834 DR2-S2	24"-15"
▲ VCD272134 DL2-S2	12"-12"	▲ VCD272134 DR2-S2	12"-12"
VCD302134 DL2-S2	12"-15"	VCD302134 DR2-S2	15"-12"
VCD332134 DL2-S2	12"-18"	VCD332134 DR2-S2	18"-12"
VCD362134 DL2-S2	12"-21"	VCD362134 DR2-S2	21"-12"
▲ VCD422134 DL2-S2	15"-24"	▲ VCD422134 DR2-S2	24"-15"
<i>Bayshore</i>			
▲ VCD271834 DL2-S3	12"-12"	▲ VCD271834 DR2-S3	12"-12"
VCD301834 DL2-S3	12"-15"	VCD301834 DR2-S3	15"-12"
VCD331834 DL2-S3	12"-18"	VCD331834 DR2-S3	18"-12"
VCD361834 DL2-S3	12"-21"	VCD361834 DR2-S3	21"-12"
▲ VCD421834 DL2-S3	15"-24"	▲ VCD421834 DR2-S3	24"-15"
▲ VCD272134 DL2-S3	12"-12"	▲ VCD272134 DR2-S3	12"-12"
VCD302134 DL2-S3	12"-15"	VCD302134 DR2-S3	15"-12"
VCD332134 DL2-S3	12"-18"	VCD332134 DR2-S3	18"-12"
VCD362134 DL2-S3	12"-21"	VCD362134 DR2-S3	21"-12"
▲ VCD422134 DL2-S3	15"-24"	▲ VCD422134 DR2-S3	24"-15"
<i>Prescott</i>			
▲ VCD271834 DL2-S4	12"-12"	▲ VCD271834 DR2-S4	12"-12"
VCD301834 DL2-S4	12"-15"	VCD301834 DR2-S4	15"-12"
VCD331834 DL2-S4	12"-18"	VCD331834 DR2-S4	18"-12"
VCD361834 DL2-S4	12"-21"	VCD361834 DR2-S4	21"-12"
▲ VCD421834 DL2-S4	15"-24"	▲ VCD421834 DR2-S4	24"-15"
▲ VCD272134 DL2-S4	12"-12"	▲ VCD272134 DR2-S4	12"-12"
VCD302134 DL2-S4	12"-15"	VCD302134 DR2-S4	15"-12"
VCD332134 DL2-S4	12"-18"	VCD332134 DR2-S4	18"-12"
VCD362134 DL2-S4	12"-21"	VCD362134 DR2-S4	21"-12"
▲ VCD422134 DL2-S4	15"-24"	▲ VCD422134 DR2-S4	24"-15"
VCD241834 DL2-S5		VCD241834 DR2-S5	
<i>Fairfield</i>			
▲ VCD271834 DL2-S5	12"-15"	▲ VCD271834 DR2-S5	15"-12"
VCD301834 DL2-S5	12"-18"	VCD301834 DR2-S5	18"-12"
VCD331834 DL2-S5	12"-21"	VCD331834 DR2-S5	21"-12"
VCD361834 DL2-S5	15"-21"	VCD361834 DR2-S5	21"-12"
▲ VCD421834 DL2-S5	15"-27"	▲ VCD421834 DR2-S5	27"-15"
▲ VCD272134 DL2-S5	12"-15"	▲ VCD272134 DR2-S5	12"-12"
VCD302134 DL2-S5	12"-15"	VCD302134 DR2-S5	18"-12"
VCD332134 DL2-S5	12"-21"	VCD332134 DR2-S5	21"-12"
VCD362134 DL2-S5	15"-21"	VCD362134 DR2-S5	21"-15"
▲ VCD422134 DL2-S5	15"-27"	▲ VCD422134 DR2-S5	27"-15"
<i>Weston</i>			
▲ VCD271834 DL2-S6	12"-12"	▲ VCD271834 DR2-S6	12"-12"
VCD301834 DL2-S6	12"-15"	VCD301834 DR2-S6	15"-12"
VCD331834 DL2-S6	12"-18"	VCD331834 DR2-S6	18"-12"
VCD361834 DL2-S6	12"-21"	VCD361834 DR2-S6	21"-12"
▲ VCD421834 DL2-S6	15"-24"	▲ VCD421834 DR2-S6	24"-15"
▲ VCD272134 DL2-S6	12"-12"	▲ VCD272134 DR2-S6	12"-12"
VCD302134 DL2-S6	12"-15"	VCD302134 DR2-S6	15"-12"
VCD332134 DL2-S6	12"-18"	VCD332134 DR2-S6	18"-12"
VCD362134 DL2-S6	12"-21"	VCD362134 DR2-S6	21"-12"
▲ VCD422134 DL2-S6	15"-24"	▲ VCD422134 DR2-S6	24"-15"

▲ Sink Base Door Storage Unit (SBDSU) **not** available

Gray color coding indicates new product, size or code.

- Laminates are painted hardwood
- One drawer front
- Two deep drawers
- Skirt ships separately
- Optional Door Storage Unit (SBDSU) is available
- Available in Full Overlay Cherry, Laminate and Maple door styles only

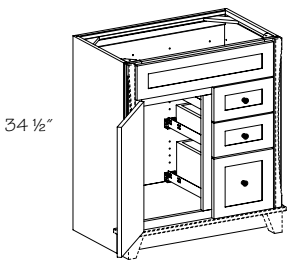
New

Vanity Combination Drawer w/Decorative Accents (3)

(price book pg. G61, G63, G65)

- APC
- DE
- ◆ FPEB
- GD
- MI
- RD
- RTK
- TWR
- VTK
- WR
- XS

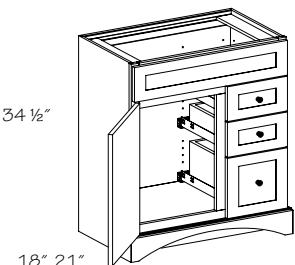
<i>Drawers Left Monrose</i>	<i>Drawer-Door widths</i>	<i>Drawers Right Monrose</i>	<i>Drawer-Door widths</i>
▲ VCD271834 DL3-S1	12"-12"	▲ VCD271834 DR3-S1	12"-12"
VCD301834 DL3-S1	12"-15"	VCD301834 DR3-S1	15"-12"
VCD331834 DL3-S1	12"-18"	VCD331834 DR3-S1	18"-12"
VCD361834 DL3-S1	12"-21"	VCD361834 DR3-S1	21"-12"
▲ VCD421834 DL3-S1	15"-24"	▲ VCD421834 DR3-S1	24"-15"
▲ VCD272134 DL3-S1	12"-12"	▲ VCD272134 DR3-S1	12"-12"
VCD302134 DL3-S1	12"-15"	VCD302134 DR3-S1	15"-12"
VCD332134 DL3-S1	12"-18"	VCD332134 DR3-S1	18"-12"
VCD362134 DL3-S1	12"-21"	VCD362134 DR3-S1	21"-12"
▲ VCD422134 DL3-S1	15"-24"	▲ VCD422134 DR3-S1	24"-15"
<i>Cologne</i>			
▲ VCD271834 DL3-S2	12"-12"	▲ VCD271834 DR3-S2	12"-12"
VCD301834 DL3-S2	12"-15"	VCD301834 DR3-S2	15"-12"
VCD331834 DL3-S2	12"-18"	VCD331834 DR3-S2	18"-12"
VCD361834 DL3-S2	12"-21"	VCD361834 DR3-S2	21"-12"
▲ VCD421834 DL3-S2	15"-24"	▲ VCD421834 DR3-S2	24"-15"
▲ VCD272134 DL3-S2	12"-12"	▲ VCD272134 DR3-S2	12"-12"
VCD302134 DL3-S2	12"-15"	VCD302134 DR3-S2	15"-12"
VCD332134 DL3-S2	12"-18"	VCD332134 DR3-S2	18"-12"
VCD362134 DL3-S2	12"-21"	VCD362134 DR3-S2	21"-12"
▲ VCD422134 DL3-S2	15"-24"	▲ VCD422134 DR3-S2	24"-15"
<i>Bayshore</i>			
▲ VCD271834 DL3-S3	12"-12"	▲ VCD271834 DR3-S3	12"-12"
VCD301834 DL3-S3	12"-15"	VCD301834 DR3-S3	15"-12"
VCD331834 DL3-S3	12"-18"	VCD331834 DR3-S3	18"-12"
VCD361834 DL3-S3	12"-21"	VCD361834 DR3-S3	21"-12"
▲ VCD421834 DL3-S3	15"-24"	▲ VCD421834 DR3-S3	24"-15"
▲ VCD272134 DL3-S3	12"-12"	▲ VCD272134 DR3-S3	12"-12"
VCD302134 DL3-S3	12"-15"	VCD302134 DR3-S3	15"-12"
VCD332134 DL3-S3	12"-18"	VCD332134 DR3-S3	18"-12"
VCD362134 DL3-S3	12"-21"	VCD362134 DR3-S3	21"-12"
▲ VCD422134 DL3-S3	15"-24"	▲ VCD422134 DR3-S3	24"-15"
<i>Prescott</i>			
▲ VCD271834 DL3-S4	12"-12"	▲ VCD271834 DR3-S4	12"-12"
VCD301834 DL3-S4	12"-15"	VCD301834 DR3-S4	15"-12"
VCD331834 DL3-S4	12"-18"	VCD331834 DR3-S4	18"-12"
VCD361834 DL3-S4	12"-21"	VCD361834 DR3-S4	21"-12"
▲ VCD421834 DL3-S4	15"-24"	▲ VCD421834 DR3-S4	24"-15"
▲ VCD272134 DL3-S4	12"-12"	▲ VCD272134 DR3-S4	12"-12"
VCD302134 DL3-S4	12"-15"	VCD302134 DR3-S4	15"-12"
VCD332134 DL3-S4	12"-18"	VCD332134 DR3-S4	18"-12"
VCD362134 DL3-S4	12"-21"	VCD362134 DR3-S4	21"-12"
▲ VCD422134 DL3-S4	15"-24"	▲ VCD422134 DR3-S4	24"-15"
<i>Fairfield</i>			
▲ VCD271834 DL3-S5	12"-15"	▲ VCD271834 DR3-S5	12"-15"
VCD301834 DL3-S5	12"-18"	VCD301834 DR3-S5	18"-12"
VCD331834 DL3-S5	12"-21"	VCD331834 DR3-S5	21"-12"
VCD361834 DL3-S5	15"-21"	VCD361834 DR3-S5	21"-15"
▲ VCD421834 DL3-S5	15"-27"	▲ VCD421834 DR3-S5	27"-15"
▲ VCD272134 DL3-S5	12"-15"	▲ VCD272134 DR3-S5	12"-15"
VCD302134 DL3-S5	12"-18"	VCD302134 DR3-S5	18"-12"
VCD332134 DL3-S5	12"-21"	VCD332134 DR3-S5	21"-12"
VCD362134 DL3-S5	15"-21"	VCD362134 DR3-S5	21"-15"
▲ VCD422134 DL3-S5	15"-27"	▲ VCD422134 DR3-S5	27"-15"
<i>Weston</i>			
▲ VCD271834 DL3-S6	12"-12"	▲ VCD271834 DR3-S6	12"-12"
VCD301834 DL3-S6	12"-15"	VCD301834 DR3-S6	15"-12"
VCD331834 DL3-S6	12"-18"	VCD331834 DR3-S6	18"-12"
VCD361834 DL3-S6	12"-21"	VCD361834 DR3-S6	21"-12"
▲ VCD421834 DL3-S6	15"-24"	▲ VCD421834 DR3-S6	24"-15"
▲ VCD272134 DL3-S6	12"-12"	▲ VCD272134 DR3-S6	12"-12"
VCD302134 DL3-S6	12"-15"	VCD302134 DR3-S6	15"-12"
VCD332134 DL3-S6	12"-18"	VCD332134 DR3-S6	18"-12"
VCD362134 DL3-S6	12"-21"	VCD362134 DR3-S6	21"-12"
▲ VCD422134 DL3-S6	15"-24"	▲ VCD422134 DR3-S6	24"-15"



34 1/2"

18", 21"

S1-S4, S6



34 1/2"

18", 21"

S5

▲ Sink Base Door Storage Unit (SBDSU) **not** available

Gray color coding indicates new product, size or code.

- Laminates are painted hardwood
- One drawer front
- Two standard drawers
- One deep drawer
- Skirt ships separately
- Optional Door Storage Unit (SBDSU) is available
- Available in Full Overlay Cherry, Laminate and Maple door styles only

Vanity Cabinets-G

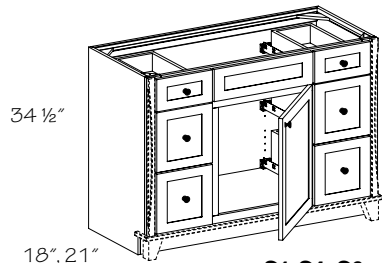
New

Vanity Cabinets-G

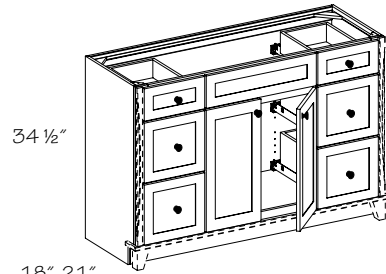
Vanity Combination Drawer w/Decorative Accents (6)

(price book pg. G67, G69)

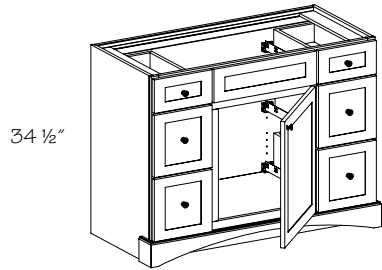
- APC
- DE
- ◆ FPEB
- GD
- MI
- RD
- RTK
- TWR
- VTK
- WR
- XS



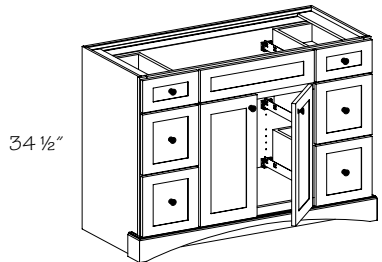
**S1-S4, S6
VCD45-48**



**S1-S4, S6
VCD51-60**



**S5
VCD45**



**S5
VCD48-60**

Montrose
VCD451834 R or L-6-S1 12"-18"-12"
VCD481834 R or L-6-S1 12"-21"-12"
VCD511834 -6-S1 12"-24"-12"
VCD541834 -6-S1 12"-27"-12"
VCD571834 -6-S1 15"-24"-15"
VCD601834 -6-S1 15"-27"-15"
VCD452134 R or L-6-S1 12"-18"-12"
VCD482134 R or L-6-S1 12"-21"-12"
VCD512134 -6-S1 12"-24"-12"
VCD542134 -6-S1 12"-27"-12"
VCD572134 -6-S1 15"-24"-15"
VCD602134 -6-S1 15"-27"-15"

Cologne
VCD451834 R or L-6-S2 12"-18"-12"
VCD481834 R or L-6-S2 12"-21"-12"
VCD511834 -6-S2 12"-24"-12"
VCD541834 -6-S2 12"-27"-12"
VCD571834 -6-S2 15"-24"-15"
VCD601834 -6-S2 15"-27"-15"
VCD452134 R or L-6-S2 12"-18"-12"
VCD482134 R or L-6-S2 12"-21"-12"
VCD512134 -6-S2 12"-24"-12"
VCD542134 -6-S2 12"-27"-12"
VCD572134 -6-S2 15"-24"-15"
VCD602134 -6-S2 15"-27"-15"

Bayshore
VCD451834 R or L-6-S3 12"-18"-12"
VCD481834 R or L-6-S3 12"-21"-12"
VCD511834 -6-S3 12"-24"-12"
VCD541834 -6-S3 12"-27"-12"
VCD571834 -6-S3 15"-24"-15"
VCD601834 -6-S3 15"-27"-15"
VCD452134 R or L-6-S3 12"-18"-12"
VCD482134 R or L-6-S3 12"-21"-12"
VCD512134 -6-S3 12"-24"-12"
VCD542134 -6-S3 12"-27"-12"
VCD572134 -6-S3 15"-24"-15"
VCD602134 -6-S3 15"-27"-15"

Prescott
VCD451834 R or L-6-S4 12"-18"-12"
VCD481834 R or L-6-S4 12"-21"-12"
VCD511834 -6-S4 12"-24"-12"
VCD541834 -6-S4 12"-27"-12"
VCD571834 -6-S4 15"-24"-15"
VCD601834 -6-S4 15"-27"-15"
VCD452134 R or L-6-S4 12"-18"-12"
VCD482134 R or L-6-S4 12"-21"-12"
VCD512134 -6-S4 12"-24"-12"
VCD542134 -6-S4 12"-27"-12"
VCD572134 -6-S4 15"-24"-15"
VCD602134 -6-S4 15"-27"-15"

Fairfield
VCD451834 R or L-6-S5 12"-21"-12"
VCD481834 -6-S5 12"-24"-12"
VCD511834 -6-S5 12"-27"-12"
VCD541834 -6-S5 15"-24"-15"
VCD571834 -6-S5 15"-27"-15"
VCD601834 -6-S5 15"-30"-15"
VCD452134 R or L-6-S5 12"-21"-12"
VCD482134 -6-S5 12"-24"-12"
VCD512134 -6-S5 12"-27"-12"
VCD542134 -6-S5 15"-24"-15"
VCD572134 -6-S5 15"-27"-15"
VCD602134 -6-S5 15"-30"-15"

Weston
VCD451834 R or L-6-S6 12"-18"-12"
VCD481834 R or L-6-S6 12"-21"-12"
VCD511834 -6-S6 12"-24"-12"
VCD541834 -6-S6 12"-27"-12"
VCD571834 -6-S6 15"-24"-15"
VCD601834 -6-S6 15"-27"-15"
VCD452134 R or L-6-S6 12"-18"-12"
VCD482134 R or L-6-S6 12"-21"-12"
VCD512134 -6-S6 12"-24"-12"
VCD542134 -6-S6 12"-27"-12"
VCD572134 -6-S6 15"-24"-15"
VCD602134 -6-S6 15"-27"-15"

Drawer-Door-Drawer
 12"-18"-12"
 12"-21"-12"
 12"-24"-12"
 12"-27"-12"
 15"-24"-15"
 15"-27"-15"
 12"-18"-12"
 12"-21"-12"
 12"-24"-12"
 12"-27"-12"
 15"-24"-15"
 15"-27"-15"

- Laminates are painted hardwood
- Two standard drawers
- Four deep drawers
- Skirt ships separately
- Scoop Top Drawer (STDW) Option available
- Sink Base Door Storage Unit (SBDSU) is available on single door cabinets
- Available in Full Overlay Cherry, Laminate and Maple door styles only

Gray color coding indicates new product, size or code.

Now

Vanity Combination Drawer w/Decorative Accents (8)

(price book pg. G71, G73)

- APC
- DE
- ❖ FPEB
- GD
- MI
- RD
- RTK
- TWR
- VTK
- WR
- XS

Montrose Drawer-Door-Drawer

VCD451834 R or L-8-S1	12"-18"-12"
VCD481834 R or L-8-S1	12"-21"-12"
VCD511834 -8-S1	12"-24"-12"
VCD541834 -8-S1	12"-27"-12"
VCD571834 -8-S1	15"-24"-15"
VCD601834 -8-S1	15"-27"-15"
VCD452134 R or L-8-S1	12"-18"-12"
VCD482134 R or L-8-S1	12"-21"-12"
VCD512134 -8-S1	12"-24"-12"
VCD542134 -8-S1	12"-27"-12"
VCD572134 -8-S1	15"-24"-15"
VCD602134 -8-S1	15"-27"-15"

Cologne

VCD451834 R or L-8-S2	12"-18"-12"
VCD481834 R or L-8-S2	12"-21"-12"
VCD511834 -8-S2	12"-24"-12"
VCD541834 -8-S2	12"-27"-12"
VCD571834 -8-S2	15"-24"-15"
VCD601834 -8-S2	15"-27"-15"
VCD452134 R or L-8-S2	12"-18"-12"
VCD482134 R or L-8-S2	12"-21"-12"
VCD512134 -8-S2	12"-24"-12"
VCD542134 -8-S2	12"-27"-12"
VCD572134 -8-S2	15"-24"-15"
VCD602134 -8-S2	15"-27"-15"

Bayshore

VCD451834 R or L-8-S3	12"-18"-12"
VCD481834 R or L-8-S3	12"-21"-12"
VCD511834 -8-S3	12"-24"-12"
VCD541834 -8-S3	12"-27"-12"
VCD571834 -8-S3	15"-24"-15"
VCD601834 -8-S3	15"-27"-15"
VCD452134 R or L-8-S3	12"-18"-12"
VCD482134 R or L-8-S3	12"-21"-12"
VCD512134 -8-S3	12"-24"-12"
VCD542134 -8-S3	12"-27"-12"
VCD572134 -8-S3	15"-24"-15"
VCD602134 -8-S3	15"-27"-15"

Prescott

VCD451834 R or L-8-S4	12"-18"-12"
VCD481834 R or L-8-S4	12"-21"-12"
VCD511834 -8-S4	12"-24"-12"
VCD541834 -8-S4	12"-27"-12"
VCD571834 -8-S4	15"-24"-15"
VCD601834 -8-S4	15"-27"-15"
VCD452134 R or L-8-S4	12"-18"-12"
VCD482134 R or L-8-S4	12"-21"-12"
VCD512134 -8-S4	12"-24"-12"
VCD542134 -8-S4	12"-27"-12"
VCD572134 -8-S4	15"-24"-15"
VCD602134 -8-S4	15"-27"-15"

Fairfield

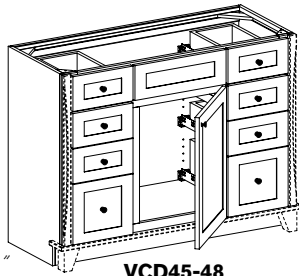
VCD451834 R or L-8-S5	12"-21"-12"
VCD481834 -8-S5	12"-24"-12"
VCD511834 -8-S5	12"-27"-12"
VCD541834 -8-S5	15"-24"-15"
VCD571834 -8-S5	15"-27"-15"
VCD601834 -8-S5	15"-30"-15"
VCD452134 R or L-8-S5	12"-21"-12"
VCD482134 -8-S5	12"-24"-12"
VCD512134 -8-S5	12"-27"-12"
VCD542134 -8-S5	15"-24"-15"
VCD572134 -8-S5	15"-27"-15"
VCD602134 -8-S5	15"-30"-15"

Weston

VCD451834 R or L-8-S6	12"-18"-12"
VCD481834 R or L-8-S6	12"-21"-12"
VCD511834 -8-S6	12"-24"-12"
VCD541834 -8-S6	12"-27"-12"
VCD571834 -8-S6	15"-24"-15"
VCD601834 -8-S6	15"-27"-15"
VCD452134 R or L-8-S6	12"-18"-12"
VCD482134 R or L-8-S6	12"-21"-12"
VCD512134 -8-S6	12"-24"-12"
VCD542134 -8-S6	12"-27"-12"
VCD572134 -8-S6	15"-24"-15"
VCD602134 -8-S6	15"-27"-15"

- Laminates are painted hardwood
- Six standard drawers
- Two deep drawers
- Skirt ships separately
- Scoop Top Drawer (STDW) Option available
- Sink Base Door Storage Unit (SBDSU) is available on single door cabinets
- Available in Full Overlay Cherry, Laminate and Maple door styles only

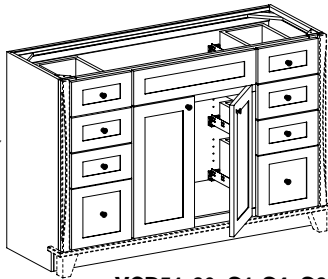
34 1/2"



18", 21"

VCD45-48

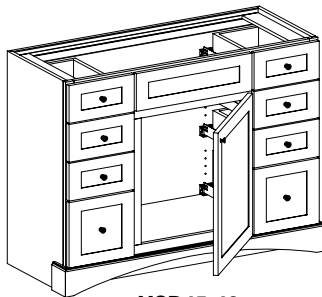
34 1/2"



18", 21"

VCD51-60, S1-S4, S6

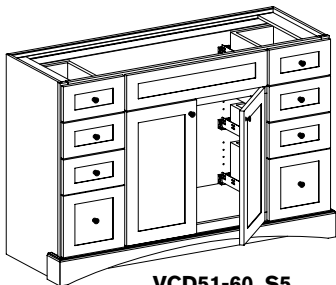
34 1/2"



18", 21"

VCD45-48

34 1/2"



18", 21"

VCD51-60, S5

Gray color coding indicates new product, size or code.

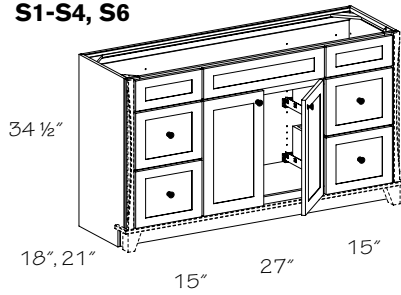
Vanity Cabinets-G

New

Vanity Combination Drawer w/Decorative Accents - Full False Front (4)
 (price book pg. G75)

- APC
- DE
- ❖ FPEB
- GD
- MI
- RD
- RTK
- TWR
- VTK
- WR
- XS

S1-S4, S6



Montrose
VCDF601834 -4-S1
VCDF602134 -4-S1

Cologne
VCDF601834 -4-S2
VCDF602134 -4-S2

Bayshore
VCDF601834 -4-S3
VCDF602134 -4-S3

Prescott
VCDF601834 -4-S4
VCDF602134 -4-S4

Fairfield
 * **VCDF601834 -4-S5**
 * **VCDF602134 -4-S5**

Weston
VCDF601834 -4-S6
VCDF602134 -4-S6

* Optional Door Storage Unit (SBDSU) is available

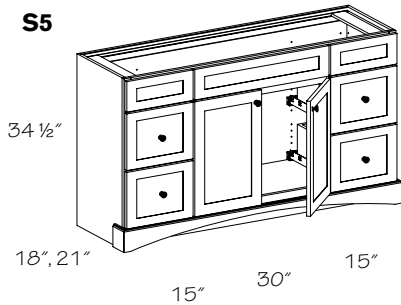
Gray color coding indicates new product, size or code.

- Laminates are painted hardwood
- Three drawer fronts
- Four deep drawers
- Skirt ships separately
- Available in Full Overlay Cherry, Laminate and Maple door styles only



Tip: False fronts across the entire width of the cabinet allows design flexibility for single or double sink bowls

S5

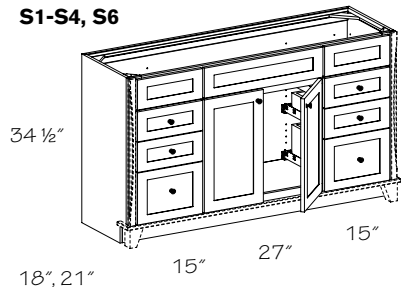


New

Vanity Combination Drawer w/Decorative Accents - Full False Front (6)
 (price book pg. G75)

- APC
- DE
- ❖ FPEB
- GD
- MI
- RD
- RTK
- TWR
- VTK
- WR
- XS

S1-S4, S6



Montrose
VCDF601834 -6-S1
VCDF602134 -6-S1

Cologne
VCDF601834 -6-S2
VCDF602134 -6-S2

Bayshore
VCDF601834 -6-S3
VCDF602134 -6-S3

Prescott
VCDF601834 -6-S4
VCDF602134 -6-S4

Fairfield
 * **VCDF601834 -6-S5**
 * **VCDF602134 -6-S5**

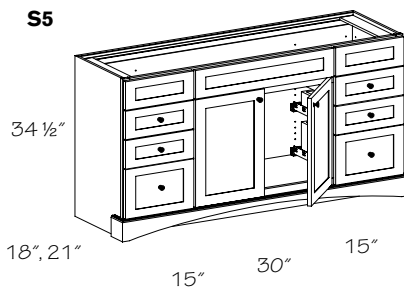
Weston
VCDF601834 -6-S6
VCDF602134 -6-S6

* Optional Door Storage Unit (SBDSU) is available

Gray color coding indicates new product, size or code.

- Three drawer fronts
- Four standard drawers
- Two deep drawers
- Skirt ships separately
- Laminates are painted hardwood
- Available in Cherry and Maple door styles only

S5



New

Vanity Wall Cabinet w/Decorative Accents

(price book pg. G77)

●	APC
	DE
❖	FPEB
●	GD
●	MI
	RD
	RTK
	TWR
	VTK
	WR
●	XS

Montrose

- VW240430 R or L-S1
- VW270430 -S1
- VW240436 R or L-S1
- VW270436 -S1
- VW240830 R or L-S1
- VW270830 -S1
- VW240836 R or L-S1
- VW270836 -S1

- Available in Cherry and Maple door styles only
- Top and bottom plates ship separately
- Laminates are painted hardwood

Cologne

- VW240430 R or L-S2
- VW270430 -S2
- VW240436 R or L-S2
- VW270436 -S2
- VW240830 R or L-S2
- VW270830 -S2
- VW240836 R or L-S2
- VW270836 -S2

Bayshore

- VW240430 R or L-S3
- VW270430 -S3
- VW240436 R or L-S3
- VW270436 -S3
- VW240830 R or L-S3
- VW270830 -S3
- VW240836 R or L-S3
- VW270836 -S3

Prescott

- VW240430 R or L-S4
- VW270430 -S4
- VW240436 R or L-S4
- VW270436 -S4
- VW240830 R or L-S4
- VW270830 -S4
- VW240836 R or L-S4
- VW270836 -S4

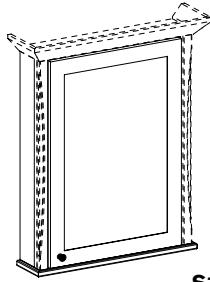
Fairfield

- VW240430 -S5
- VW270430 -S5
- VW240436 -S5
- VW270436 -S5
- VW240830 -S5
- VW270830 -S5
- VW240836 -S5
- VW270836 -S5

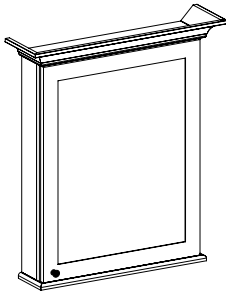
Weston

- VW240430 R or L-S6
- VW270430 -S6
- VW240436 R or L-S6
- VW270436 -S6
- VW240830 R or L-S6
- VW270830 -S6
- VW240836 R or L-S6
- VW270836 -S6

Gray color coding indicates new product, size or code.



S1-S4, S6



S5

New

Framed Mirror w/Decorative Accents

(price book pg. G79)

APC
DE
FPEB
GD
MI
RD
RTK
TWR
VTK
WR
XS

Montrose

- FM2436 -S1
- FM3036 -S1
- FM3636 -S1
- FM4236 -S1
- FM4836 -S1

- Laminates are painted hardwood
- Beveled mirror
- Available in Full Overlay Cherry, Laminate and Maple door styles only

Cologne

- FM2436 -S2
- FM3036 -S2
- FM3636 -S2
- FM4236 -S2
- FM4836 -S2

Bayshore

- FM2436 -S3
- FM3036 -S3
- FM3636 -S3
- FM4236 -S3
- FM4836 -S3

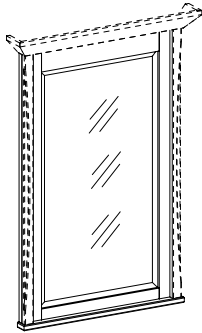
Prescott

- FM2436 -S4
- FM3036 -S4
- FM3636 -S4
- FM4236 -S4
- FM4836 -S4

Weston

- FM2436 -S6
- FM3036 -S6
- FM3636 -S6
- FM4236 -S6
- FM4836 -S6

Gray color coding indicates new product, size or code.

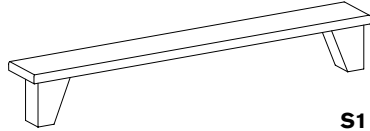
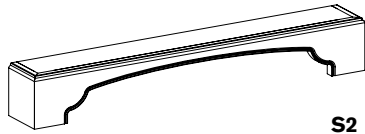
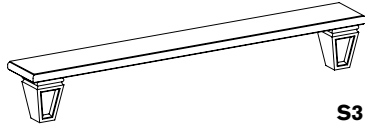
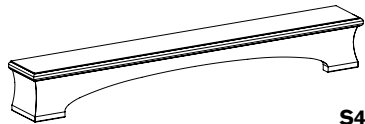
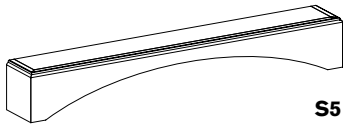
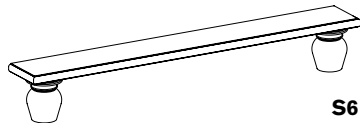


New

Vanity Decorative Skirt w/Decorative Accents

(price book pg. G79)

APC
DE
FPEB
GD
MI
RD
RTK
TWR
VTK
WR
XS

**S1****S2****S3****S4****S5****S6****Montrose**

VDS1504 •S1
 VDS1804 •S1
 VDS2104 •S1
 VDS2404 •S1
 VDS2704 •S1
 VDS3004 •S1
 VDS3304 •S1
 VDS3604 •S1
 VDS3904 •S1
 VDS4204 •S1
 VDS4504 •S1
 VDS4804 •S1
 VDS5104 •S1
 VDS5404 •S1
 VDS5704 •S1
 VDS6004 •S1

Cologne

VDS1504 •S2
 VDS1804 •S2
 VDS2104 •S2
 VDS2404 •S2
 VDS2704 •S2
 VDS3004 •S2
 VDS3304 •S2
 VDS3604 •S2
 VDS3904 •S2
 VDS4204 •S2
 VDS4504 •S2
 VDS4804 •S2
 VDS5104 •S2
 VDS5404 •S2
 VDS5704 •S2
 VDS6004 •S2
 VDS6304 •S2
 VDS6604 •S2
 VDS6904 •S2
 VDS7204 •S2

Bayshore

VDS1504 •S3
 VDS1804 •S3
 VDS2104 •S3
 VDS2404 •S3
 VDS2704 •S3
 VDS3004 •S3
 VDS3304 •S3
 VDS3604 •S3
 VDS3904 •S3
 VDS4204 •S3
 VDS4504 •S3
 VDS4804 •S3
 VDS5104 •S3
 VDS5404 •S3
 VDS5704 •S3
 VDS6004 •S3

Prescott

VDS1504 •S4
 VDS1804 •S4
 VDS2104 •S4
 VDS2404 •S4
 VDS2704 •S4
 VDS3004 •S4
 VDS3304 •S4
 VDS3604 •S4
 VDS3904 •S4
 VDS4204 •S4
 VDS4504 •S4
 VDS4804 •S4
 VDS5104 •S4
 VDS5404 •S4
 VDS5704 •S4
 VDS6004 •S4
 VDS6304 •S4
 VDS6604 •S4
 VDS6904 •S4
 VDS7204 •S4

Fairfield

VDS1504 •S5
 VDS1804 •S5
 VDS2104 •S5
 VDS2404 •S5
 VDS2704 •S5
 VDS3004 •S5
 VDS3304 •S5
 VDS3604 •S5
 VDS3904 •S5
 VDS4204 •S5
 VDS4504 •S5
 VDS4804 •S5
 VDS5104 •S5
 VDS5404 •S5
 VDS5704 •S5
 VDS6004 •S5
 VDS6304 •S5
 VDS6604 •S5
 VDS6904 •S5
 VDS7204 •S5

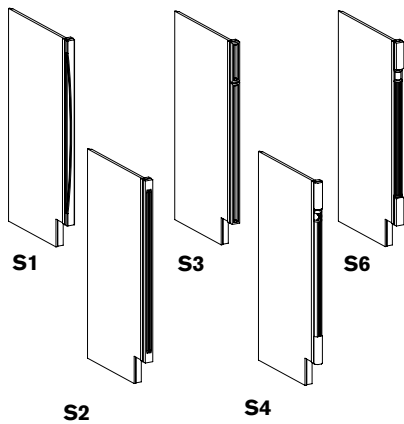
Weston

VDS1504 •S6
 VDS1804 •S6
 VDS2104 •S6
 VDS2404 •S6
 VDS2704 •S6
 VDS3004 •S6
 VDS3304 •S6
 VDS3604 •S6
 VDS3904 •S6
 VDS4204 •S6
 VDS4504 •S6
 VDS4804 •S6
 VDS5104 •S6
 VDS5404 •S6
 VDS5704 •S6
 VDS6004 •S6

Gray color coding indicates
 new product, size or code.

- Laminates are painted hardwood
- Solid wood front and sides stained to match or painted White or Cream
- Decorative routing at top
- Designed to fit vanity toe kick space
- If desired, matching toe kick must be ordered separately and installed before skirt
- Available in Full Overlay Cherry, Laminate and Maple door styles only

New



Vanity Decorative Accent End Panel

(price book pg. G80)

Montrose

DEP1834 R or L-S1

DEP2134 R or L-S1

Cologne

DEP1834 R or L-S2

DEP2134 R or L-S2

Bayshore

DEP1834 R or L-S3

DEP2134 R or L-S3

Prescott

DEP1834 R or L-S4

DEP2134 R or L-S4

Weston

DEP1834 R or L-S6

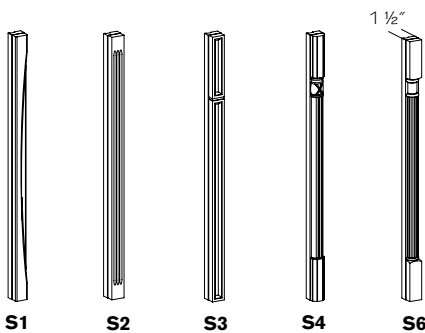
DEP2134 R or L-S6

Gray color coding indicates new product, size or code.

- Applied decorative accent mounted toward end panel
- End panel is trimmable
- Available in Full Overlay Cherry, Laminate and Maple door styles only
- Laminates are painted hardwood

●	APC
	DE
◇	FPEB
	GD
●	MI
●	RD
	RTK
	TWR
	VTK
	WR
	XS

New



Vanity Decorative Accent Filler

(price book pg. G80)

Montrose

DF130 +S1

Cologne

DF130 +S2

Bayshore

DF130 +S3

Prescott

DF130 +S4

Weston

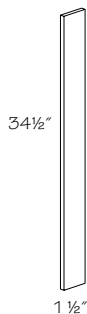
DF130 +S6

Gray color coding indicates new product, size or code.

- Laminates are painted hardwood
- 3/4" thick solid wood filler with applied decorative accent centered
- Available in Full Overlay Cherry, Laminate and Maple door styles only

APC
DE
FPEB
GD
MI
RD
RTK
TWR
VTK
WR
XS

New



Vanity Furniture Filler

(price book pg. G46)

VF134.FH

Gray color coding indicates new product, size or code.

- Available in cherry, maple, and thermofoil/white
- 3/4" solid wood
- Finished on side and edge
- No toe kick
- Intended for S and T series vanity collections



Remember to use a Vanity Furniture Filler when placing a decorative accent vanity against a wall (3/4") or when placing two decorative accent vanities together (1 1/2"). This will ensure proper placement and avoid any decorative skirt interference during installation

APC
DE
FPEB
GD
MI
RD
RTK
TWR
VTK
WR
XS

Notes

Notes

Vanity Cabinet Accessories

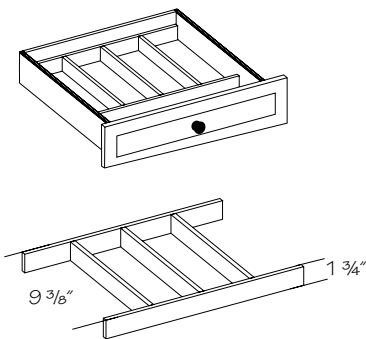
Construction Options and Modifications

Specifications subject to change without notice.

- PE – Plywood Ends
- APC – All Plywood Construction
- APFC – All Plywood Furniture Construction
- FPEB – Furniture Plywood Ends
- MI – Matching Interior
- RD – Reduced Depth
- VTK – Void Toe Kick
- WR – Wide Bottom Rail

VCTP	12	12
code	width	depth

New



Vanity Drawer Divider

(price book pg. G46)

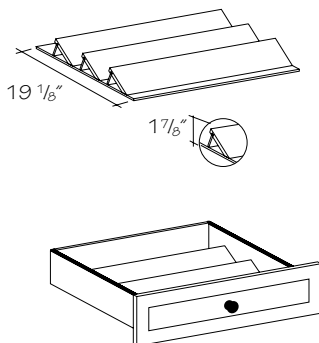
- VDDK12** 2 Sections
- VDDK15** 3 Sections
- VDDK18** 3 Sections
- VDDK21** 4 Sections
- VDDK24** 4 Sections
- VDDK27** 5 Sections
- VDDK30** 5 Sections
- VDDK33** 6 Sections
- VDDK36** 7 Sections

Gray color coding indicates new product, size or code.

- 1/2" thick solid wood dividers 1 3/4" high

PE
APC
APFC
FPEB
MI
RD
VTK
WR

New



Vanity Drawer Storage Kit

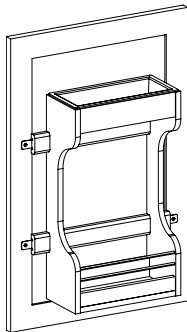
(price book pg. G46)

- VDRSK1218**
- VDRSK1518**
- VDRSK1221**
- VDRSK1521**

Gray color coding indicates new product, size or code.

- 18" Deep has two racks

PE
APC
APFC
FPEB
MI
RD
VTK
WR



Sink Base Door Storage Unit or Kit

(price book pg. G46)

Installed

SBDSU30 R or L

SBDSU33 R or L

SBDSU36 R or L *also fits SB18*

Kit

SBDSUK30

SBDSUK33

SBDSUK36 *also fits SB18*

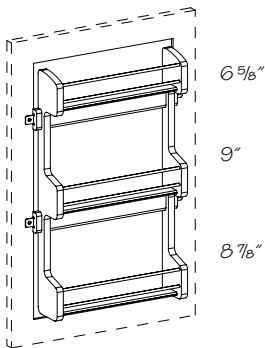
SBDSUK39

SBDSUK42 *also fits SB21*

- Solid wood
- Two fixed shelves, 4" deep
- Kit includes all mounting hardware
- Rack is 5" deep
- Removable, dishwasher safe, almond plastic tray lines top shelf

PE
APC
APFC
FPEB
MI
RD
VTK
WR

New



Vanity Storage Rack Kit

(price book pg. G46)

VSRK15

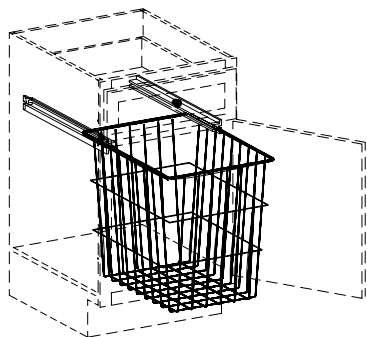
VSRK18

VSRK21

Gray color coding indicates new product, size or code.

- One hamper, two runners
- Field installation only
- For use in Vanity Full-Height Cabinets (VC) and Vanity Linen Cabinets (VLC). Requires 21 1/2" minimum height inside frame opening

PE
APC
APFC
FPEB
MI
RD
VTK
WR



Hamper Kit

(price book pg. G43)

HK15 11" W x 17" H x 19" D

HK18 14" W x 17" H x 19" D

PE
APC
APFC
FPEB
MI
RD
VTK
WR

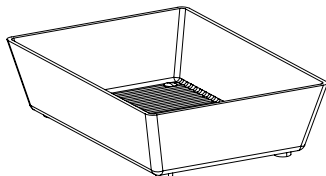
Vanity Filler Pull-out Replacement Trays

(price book pg. G43)

VFPT3

VFPT6

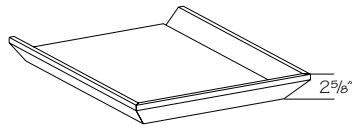
- Includes two clear plastic trays



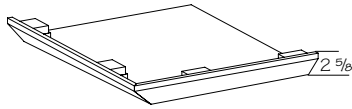
PE
APC
APFC
FPEB
MI
RD
VTK
WR

Vanity Top Plates—Angle Crown

(price book pg. G44)



VCTPB.ACM



VCTPL.ACM

	Nominal Width	Actual Width
VCTP12 R	12"	13 3/16"
VCTP12 B	12"	15 3/8"
VCTP15 R	15"	16 1/16"
VCTP15 B	15"	18 3/8"
VCTP18 R	18"	19 1/16"
VCTP18 B	18"	21 3/8"
VCTP21 R	21"	22 3/16"
VCTP21 B	21"	24 3/8"
VCTP24 R	24"	25 1/16"
VCTP24 B	24"	27 3/8"
VCTP27 R	27"	28 1/16"
VCTP27 B	27"	30 3/8"
VCTP42 R	42"	43 1/16"
VCTP42 B	42"	45 3/8"
VCTP48 R	48"	49 1/16"
VCTP48 B	48"	51 3/8"

Measurements include molding

7 5/16" deep

VCTP1205 R or L-ACM
VCTP1205 B-ACM
VCTP1505 R or L-ACM
VCTP1505 B-ACM
VCTP2405 R or L-ACM
VCTP2405 B-ACM
VCTP2705 R or L-ACM
VCTP2705 B-ACM
VCTP4205 R or L-ACM
VCTP4205 B-ACM
VCTP4805 R or L-ACM
VCTP4805 B-ACM

Fits cabinet:

VW1204
 VW1204
 VW1504
 VW1504
 VW2404
 VW2404
 VW2704
 VW2704
 VMC42
 VMC42
 VMC48
 VMC48

9 11/16" deep

VCTP2407 R or L-ACM
VCTP2407 B-ACM

10 11/16" deep

VCTP1208 R or L-ACM
VCTP1208 B-ACM
VCTP1508 R or L-ACM
VCTP1508 B-ACM
VCTP2408 R or L-ACM
VCTP2408 B-ACM
VCTP2708 R or L-ACM
VCTP2708 B-ACM

VW1208
 VW1208
 VW1508
 VW1508
 VW2408
 VW2408
 VW2708
 VW2708

14 11/16" deep

VCTP1512 R or L-ACM
VCTP1512 B-ACM
VCTP1812 R or L-ACM
VCTP1812 B-ACM
VCTP2112 R or L-ACM
VCTP2112 B-ACM
VCTP1515 R or L-ACM

VLC1512 or VLT1512
 VLC1512 or VLT1512
 VLC1812 or VLT1812
 VLC1812 or VLT1812
 VLC2112
 VLC2112
 VLC1515

17 11/16" deep

VCTP1515 B-ACM
VCTP1815 R or L-ACM
VCTP1815 B-ACM

Fits cabinet:

VLC1515
 VLC1815
 VLC1815

20 11/16" deep

VCTP1518 R or L-ACM
VCTP1518 B-ACM
VCTP1818 R or L-ACM
VCTP1818 B-ACM
VCTP2118 R or L-ACM
VCTP2118 B-ACM

VLC1518 or VLT1518
 VLC1518 or VLT1518
 VLC1818 or VLT1818
 VLC1818 or VLT1818
 VLC1818 or VLT1818

23 11/16" deep

VCTP1521 R or L-ACM
VCTP1521 B-ACM
VCTP1821 R or L-ACM
VCTP1821 B-ACM
VCTP2121 R or L-ACM
VCTP2121 B-ACM
VCTP2421 R or L-ACM
VCTP2421 B-ACM

VLC1521 or VLT1521
 VLC1521 or VLT1521
 VLC1821 or VLT1821
 VLC1821 or VLT1821
 VLC2121
 VLC2121
 VTL2421
 VTL2421

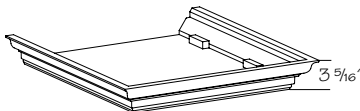
Gray color coding indicates new product, size or code.

- 3/4" plywood panel trimmed with Angle Crown Molding (ACM8)
- Decorative top plate for vanity linen and wall cabinets
- Quartersawn door styles will be supplied in plain sawn wood

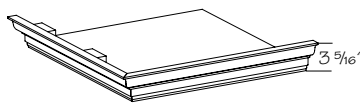
PE
APC
APFC
FPEB
MI
RD
VTK
WR

Vanity Top Plates—Classic

(price book pg. G44)



VCTPB.CCM



VCTPL.CCM

	Nominal Width	Actual Width
VCTP12 R	12"	14 7/16"
VCTP12 B	12"	16 1/16"
VCTP15 R	15"	17 1/16"
VCTP15 B	15"	19 3/16"
VCTP18 R	18"	20 7/16"
VCTP18 B	18"	22 1/16"
VCTP21 R	21"	23 3/16"
VCTP21 B	21"	25 1/16"
VCTP24 R	24"	26 7/16"
VCTP24 B	24"	28 1/16"
VCTP27 R	27"	29 3/16"
VCTP27 B	27"	31 1/16"
VCTP42 R	42"	44 7/16"
VCTP42 B	42"	46 1/16"
VCTP48 R	48"	50 7/16"
VCTP48 B	48"	52 1/16"

Measurements include molding

7 13/16" deep

VCTP1205 R or L-CCM
VCTP1205 B-CCM
VCTP1505 R or L-CCM
VCTP1505 B-CCM
VCTP2405 R or L-CCM
VCTP2405 B-CCM
VCTP2705 R or L-CCM
VCTP2705 B-CCM
VCTP4205 R or L-CCM
VCTP4205 B-CCM
VCTP4805 R or L-CCM
VCTP4805 B-CCM

Fits cabinet:

VW1204
 VW1204
 VW1504
 VW1504
 VW2404
 VW2404
 VW2704
 VW2704
 VMC42
 VMC42
 VMC48
 VMC48

10 3/16" deep

VCTP2407 R or L-CCM
VCTP2407 B-CCM

11 3/16" deep

VCTP1208 R or L-CCM
VCTP1208 B-CCM
VCTP1508 R or L-CCM
VCTP1508 B-CCM
VCTP2408 R or L-CCM
VCTP2408 B-CCM
VCTP2708 R or L-CCM
VCTP2708 B-CCM

VW1208
 VW1208
 VW1508
 VW1508
 VW2408
 VW2408
 VW2708
 VW2708

15 3/16" deep

VCTP1512 R or L-CCM
VCTP1512 B-CCM
VCTP1812 R or L-CCM
VCTP1812 B-CCM
VCTP2112 R or L-CCM
VCTP2112 B-CCM
VCTP1515 R or L-CCM

VLC1512 or VLT1512
 VLC1512 or VLT1512
 VLC1812 or VLT1812
 VLC1812 or VLT1812
 VLC2112
 VLC2112
 VLC1515

18 3/16" deep

VCTP1515 B-CCM
VCTP1815 R or L-CCM
VCTP1815 B-CCM

Fits cabinet:

VLC1515
 VLC1815
 VLC1815

21 3/16" deep

VCTP1518 R or L-CCM
VCTP1518 B-CCM
VCTP1818 R or L-CCM
VCTP1818 B-CCM
VCTP2118 R or L-CCM
VCTP2118 B-CCM

VLC1518 or VLT1518
 VLC1518 or VLT1518
 VLC1818 or VLT1818
 VLC1818 or VLT1818
 VLC1818 or VLT1818

24 3/16" deep

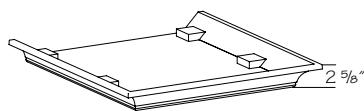
VCTP1521 R or L-CCM
VCTP1521 B-CCM
VCTP1821 R or L-CCM
VCTP1821 B-CCM
VCTP2121 R or L-CCM
VCTP2121 B-CCM
VCTP2421 R or L-CCM
VCTP2421 B-CCM

VLC1521 or VLT1521
 VLC1521 or VLT1521
 VLC1821 or VLT1821
 VLC1821 or VLT1821
 VLC2121
 VLC2121
 VTL2421
 VTL2421

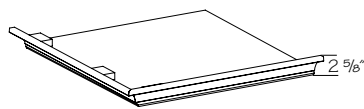
Gray color coding indicates new product, size or code.

- Decorative top plate for vanity linen and wall cabinets
- 3/4" plywood or laminate panel trimmed with Classic Crown Molding (CCM8)
- Quartersawn door styles will be supplied in plain sawn wood

PE
APC
APFC
FPEB
MI
RD
VTK
WR



VCTPB.LCVM



VCTPL.LCVM

	Nominal Width	Actual Width
VCTP12 R	12"	14 3/8"
VCTP12 B	12"	17
VCTP15 R	15"	17 7/8"
VCTP15 B	15"	20"
VCTP18 R	18"	20 3/8"
VCTP18 B	18"	23"
VCTP21 R	21"	23 3/8"
VCTP21 B	21"	26"
VCTP24 R	24"	26 3/8"
VCTP24 B	24"	29"
VCTP27 R	27"	29 3/8"
VCTP27 B	27"	32"
VCTP42 R	42"	44 3/8"
VCTP42 B	42"	47"
VCTP48 R	48"	50 3/8"
VCTP48 B	48"	53"

Measurements include molding

Vanity Top Plates-Cove

(price book pg. G44)

7 7/8" deep
VCTP1205 R or L-LCVM VW1204
VCTP1205 B-LCVM VW1204
VCTP1505 R or L-LCVM VW1504
VCTP1505 B-LCVM VW1504
VCTP2405 R or L-LCVM VW2404
VCTP2405 B-LCVM VW2404
VCTP2705 R or L-LCVM VW2704
VCTP2705 B-LCVM VW2704
VCTP4205 R or L-LCVM VMC42
VCTP4205 B-LCVM VMC42
VCTP4805 R or L-LCVM VMC48
VCTP4805 B-LCVM VMC48
VCTP2407 R or L-LCVM VMC42
VCTP2407 B-LCVM VMC42

10 1/4" deep
VCTP1208 R or L-LCVM VW1208

11 1/4" deep
VCTP1208 B-LCVM VW1208
VCTP1508 R or L-LCVM VW1508
VCTP1508 B-LCVM VW1508
VCTP2408 R or L-LCVM VW2408
VCTP2408 B-LCVM VW2408
VCTP2708 R or L-LCVM VW2708
VCTP2708 B-LCVM VW2708

15 1/4" deep
VCTP1512 R or L-LCVM VLC1512 or VLT1512
VCTP1512 B-LCVM VLC1512 or VLT1512
VCTP1812 R or L-LCVM VLC1812 or VLT1812
VCTP1812 B-LCVM VLC1812 or VLT1812
VCTP2112 R or L-LCVM VLC2112
VCTP2112 B-LCVM VLC2112
VCTP1515 R or L-LCVM VLC1515

18 1/4" deep
VCTP1515 B-LCVM VLC1515
VCTP1815 R or L-LCVM VLC1815
VCTP1815 B-LCVM VLC1815

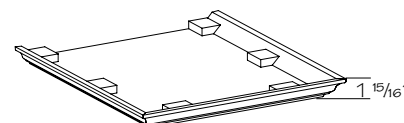
21 1/4" deep
VCTP1518 R or L-LCVM VLC1518 or VLT1518
VCTP1518 B-LCVM VLC1518 or VLT1518
VCTP1818 R or L-LCVM VLC1818 or VLT1818
VCTP1818 B-LCVM VLC1818 or VLT1818
VCTP2118 R or L-LCVM VLC2118
VCTP2118 B-LCVM VLC2118

24 1/4" deep
VCTP1521 R or L-LCVM VLC1521 or VLT1521
VCTP1521 B-LCVM VLC1521 or VLT1521
VCTP1821 R or L-LCVM VLC1821 or VLT1821
VCTP1821 B-LCVM VLC1821 or VLT1821
VCTP2121 R or L-LCVM VLC2121
VCTP2121 B-LCVM VLC2121
VCTP2421 R or L-LCVM VTL2421
VCTP2421 B-LCVM VTL2421

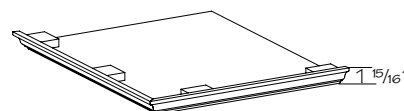
Gray color coding indicates new product, size or code.

- Decorative top plate for vanity linen and wall cabinets
- 3/4" plywood or laminate panel trimmed with Large Cove Molding (LCVM8)
- Quartersawn door styles will be supplied in plain sawn wood

PE
APC
APFC
FPEB
MI
RD
VTK
WR



VCTPB.CM



VCTPL.CM

	Nominal Width	Actual Width
VCTP12 R	12"	13 15/16"
VCTP12 B	12"	15 15/16"
VCTP15 R	15"	16 15/16"
VCTP15 B	15"	18 15/16"
VCTP18 R	18"	19 15/16"
VCTP18 B	18"	21 15/16"
VCTP21 R	21"	22 15/16"
VCTP21 B	21"	24 15/16"
VCTP24 R	24"	25 15/16"
VCTP24 B	24"	27 15/16"
VCTP27 R	27"	28 15/16"
VCTP27 B	27"	30 15/16"
VCTP42 R	42"	43 15/16"
VCTP42 B	42"	45 15/16"
VCTP48 R	48"	49 15/16"
VCTP48 B	48"	51 15/16"

Vanity Top Plates-Crown

(price book pg. G44)

7 5/16" deep
VCTP1205 R or L-CM VW1204
VCTP1205 B-CM VW1204
VCTP1505 R or L-CM VW1504
VCTP1505 B-CM VW1504
VCTP2405 R or L-CM VW2404
VCTP2405 B-CM VW2404
VCTP2705 R or L-CM VW2704
VCTP2705 B-CM VW2704
VCTP4205 R or L-CM VMC42
VCTP4205 B-CM VMC42
VCTP4805 R or L-CM VMC48
VCTP4805 B-CM VMC48

9 11/16" deep
VCTP2407 R or L-CM VWB2430
VCTP2407 B-CM VWB2430

10 11/16" deep
VCTP1208 R or L-CM VW1208
VCTP1208 B-CM VW1208
VCTP1508 R or L-CM VW1508
VCTP1508 B-CM VW1508
VCTP2408 R or L-CM VW2408
VCTP2408 B-CM VW2408
VCTP2708 R or L-CM VW2708
VCTP2708 B-CM VW2708

14 11/16" deep
VCTP1512 R or L-CM VLC1512 OR VLT1512
VCTP1512 B-CM VLC1512 or VLT1512
VCTP1812 R or L-CM VLC1812 or VLT1812
VCTP1812 B-CM VLC1812 or VLT1812
VCTP2112 R or L-CM VLC2112
VCTP2112 B-CM VLC2112

17 11/16" deep
VCTP1515 R or L-CM VLC1515
VCTP1515 B-CM VLC1515
VCTP1815 R or L-CM VLC1815
VCTP1815 B-CM VLC1815

20 11/16" deep
VCTP1518 R or L-CM VLC1518 or VLT1518
VCTP1518 B-CM VLC1518 or VLT1518
VCTP1818 R or L-CM VLC1818 or VLT1818
VCTP1818 B-CM VLC1818 or VLT1818

23 11/16" deep
VCTP1521 R or L-CM VLC1521 or VLT1521
VCTP1521 B-CM VLC1521 or VLT1521
VCTP1821 R or L-CM VLC1821 or VLT1821
VCTP1821 B-CM VLC1821 or VLT1821
VCTP2121 R or L-CM VLC2121
VCTP2121 B-CM VLC2121
VCTP2421 R or L-CM VTL2421
VCTP2421 B-CM VTL2421

Gray color coding indicates new product, size or code.

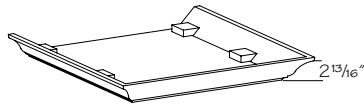
- Decorative top plate for vanity linen and wall cabinets
- 3/4" plywood or laminate panel trimmed with Crown Molding (CM8)
- Quartersawn door styles will be supplied in plain sawn wood

PE
APC
APFC
FPEB
MI
RD
VTK
WR

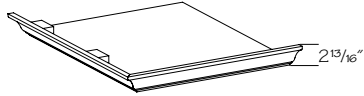
Vanity Top Plates—Large Crown

(price book pg. G44)

PE
APC
APFC
FPEB
MI
RD
VTK
WR



VCTPB.LCM



VCTPL.LCM

	Nominal Width	Actual Width
VCTP12 R	12"	14 15/16"
VCTP12 B	12"	17 15/16"
VCTP15 R	15"	17 15/16"
VCTP15 B	15"	20 15/16"
VCTP18 R	18"	20 15/16"
VCTP18 B	18"	23 15/16"
VCTP21 R	21"	23 15/16"
VCTP21 B	21"	26 15/16"
VCTP24 R	24"	26 15/16"
VCTP24 B	24"	29 15/16"
VCTP27 R	27"	29 15/16"
VCTP27 B	27"	32 15/16"
VCTP42 R	42"	44 15/16"
VCTP42 B	42"	47 15/16"
VCTP48 R	48"	50 15/16"
VCTP48 B	48"	53 15/16"

Measurements include molding

8 5/16" deep

- VCTP1205 R or L-LCM
- VCTP1205 B-LCM
- VCTP1505 R or L-LCM
- VCTP1505 B-LCM
- VCTP2405 R or L-LCM
- VCTP2405 B-LCM
- VCTP2705 R or L-LCM
- VCTP2705 B-LCM
- VCTP4205 R or L-LCM
- VCTP4205 B-LCM
- VCTP4805 R or L-LCM
- VCTP4805 B-LCM

Fits cabinet:

- VW1204
- VW1204
- VW1504
- VW1504
- VW2404
- VW2404
- VW2704
- VW2704
- VMC42
- VMC42
- VMC48
- VMC48

18 3/4" deep

- VCTP1515 B-LCM
- VCTP1815 R or L-LCM
- VCTP1815 B-LCM
- 21 3/4" deep
- VCTP1518 R or L-LCM
- VCTP1518 B-LCM
- VCTP1818 R or L-LCM
- VCTP1818 B-LCM
- VCTP2118 R or L-LCM
- VCTP2118 B-LCM

Fits cabinet:

- VLC1515
- VLC1815
- VLC1815

24 3/4" deep

- VCTP1521 R or L-LCM
- VCTP1521 B-LCM
- VCTP1821 R or L-LCM
- VCTP1821 B-LCM
- VCTP2121 R or L-LCM
- VCTP2121 B-LCM
- VCTP2421 R or L-LCM
- VCTP2421 B-LCM

- VLC1521 or VLT1521
- VLC1521 or VLT1521
- VLC1821 or VLT1821
- VLC1821 or VLT1821
- VLC2121
- VLC2121
- VTL2421
- VTL2421

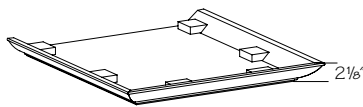
Gray color coding indicates new product, size or code.

- Decorative top plate for vanity linen and wall cabinets
- 3/4" plywood or laminate panel trimmed with Large Crown Molding (LCM8)
- Quartersawn door styles will be supplied in plain sawn wood

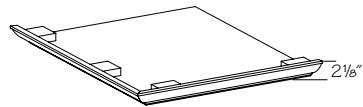
Vanity Top Plates—Federal

(price book pg. G44)

PE
APC
APFC
FPEB
MI
RD
VTK
WR



VCTPB.LFDM



VCTPL.LFDM

	Nominal Width	Actual Width
VCTP12 R	12"	14 1/2"
VCTP12 B	12"	17"
VCTP15 R	15"	17 1/2"
VCTP15 B	15"	20"
VCTP18 R	18"	20 1/2"
VCTP18 B	18"	2"
VCTP21 R	21"	23 1/2"
VCTP21 B	21"	26"
VCTP24 R	24"	26 1/2"
VCTP24 B	24"	29"
VCTP27 R	27"	29 1/2"
VCTP27 B	27"	32"
VCTP42 R	42"	44 1/2"
VCTP42 B	42"	47"
VCTP48 R	48"	50 1/2"
VCTP48 B	48"	53"

Measurements include molding

7 7/8" deep

- VCTP1205 R or L-LFDM
- VCTP1205 B-LFDM
- VCTP1505 R or L-LFDM
- VCTP1505 B-LFDM
- VCTP2405 R or L-LFDM
- VCTP2405 B-LFDM
- VCTP2705 R or L-LFDM
- VCTP2705 B-LFDM
- VCTP4205 R or L-LFDM
- VCTP4205 B-LFDM
- VCTP4805 R or L-LFDM
- VCTP4805 B-LFDM

Fits cabinet:

- VW1204
- VW1204
- VW1504
- VW1504
- VW2404
- VW2404
- VW2704
- VW2704
- VMC42
- VMC42
- VMC48
- VMC48

18 1/4" deep

- VCTP1515 B-LFDM
- VCTP1815 R or L-LFDM
- VCTP1815 B-LFDM
- 21 1/4" deep
- VCTP1518 R or L-LFDM
- VCTP1518 B-LFDM
- VCTP1818 R or L-LFDM
- VCTP1818 B-LFDM
- VCTP2118 R or L-LFDM
- VCTP2118 B-LFDM

- VLC1515
- VLC1815
- VLC1815

24 1/4" deep

- VCTP1521 R or L-LFDM
- VCTP1521 B-LFDM
- VCTP1821 R or L-LFDM
- VCTP1821 B-LFDM
- VCTP2121 R or L-LFDM
- VCTP2121 B-LFDM
- VCTP2421 R or L-LFDM
- VCTP2421 B-LFDM

- VLC1521 or VLT1521
- VLC1521 or VLT1521
- VLC1821 or VLT1821
- VLC1821 or VLT1821
- VLC2121
- VLC2121
- VTL2421
- VTL2421

Gray color coding indicates new product, size or code.

- Decorative top plate for vanity linen and wall cabinets
- 3/4" plywood or laminate panel trimmed with Large Federal Molding (LFDM8)
- Available in Full Overlay Cherry, Laminate and Maple door styles only
- Laminates are painted hardwood

10 1/4" deep

- VCTP2407 R or L-LFDM
- VCTP2407 B-LFDM

Fits cabinet:

- VW1208
- VW1208

11 1/4" deep

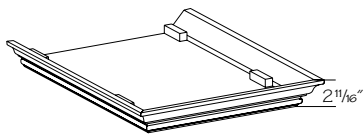
- VCTP1208 R or L-LFDM
- VCTP1208 B-LFDM
- VCTP1508 R or L-LFDM
- VCTP1508 B-LFDM
- VCTP2408 R or L-LFDM
- VCTP2408 B-LFDM
- VCTP2708 R or L-LFDM
- VCTP2708 B-LFDM
- VCTP1512 R or L-LFDM

- VW1208
- VW1208
- VW1508
- VW1508
- VW2408
- VW2408
- VW2708
- VW2708
- VLC1512 or VLT1512

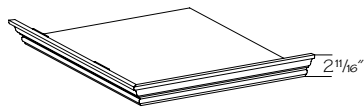
15 1/4" deep

- VCTP1512 B-LFDM
- VCTP1812 R or L-LFDM
- VCTP1812 B-LFDM
- VCTP2112 R or L-LFDM
- VCTP2112 B-LFDM
- VCTP1515 R or L-LFDM

- VLC1512 or VLT1512
- VLC1812 or VLT1812
- VLC1812 or VLT1812
- VLC2112
- VLC2112
- VLC1515



VCTPB.T



VCTPL.T

	Nominal Width	Actual Width
VCTP12 R	12"	13 1/16"
VCTP12 B	12"	15 1/16"
VCTP15 R	15"	16 1/16"
VCTP15 B	15"	18 1/16"
VCTP18 R	18"	19 1/16"
VCTP18 B	18"	21 1/16"
VCTP21 R	21"	22 1/16"
VCTP21 B	21"	24 1/16"
VCTP24 R	24"	25 1/16"
VCTP24 B	24"	27 1/16"
VCTP27 R	27"	28 1/16"
VCTP27 B	27"	30 1/16"
VCTP42 R	42"	43 1/16"
VCTP42 B	42"	45 1/16"
VCTP48 R	48"	49 1/16"
VCTP48 B	48"	51 1/16"

Measurements include molding

Vanity Top Plates—Traditional

(price book pg. G45)

7 5/16" deep
VCTP1205 R or L-T
VCTP1205 B-T
VCTP1505 R or L-T
VCTP1505 B-T
VCTP2405 R or L-T
VCTP2405 B-T
VCTP2705 R or L-T
VCTP2705 B-T
VCTP4205 R or L-T
VCTP4205 B-T
VCTP4805 R or L-T
VCTP4805 B-T

Fits cabinet:
 VW1204
 VW1204
 VW1504
 VW1504
 VW2404
 VW2404
 VW2704
 VW2704
 VMC42
 VMC42
 VMC48
 VMC48

9 11/16 deep
VCTP2407 R or L-T
VCTP2407 B-T

10 11/16" deep
VCTP1208 R or L-T
VCTP1208 B-T
VCTP1508 R or L-T
VCTP1508 B-T
VCTP2408 R or L-T
VCTP2408 B-T
VCTP2708 R or L-T
VCTP2708 B-T

14 11/16" deep
VCTP1512 R or L-T
VCTP1512 B-T
VCTP1812 R or L-T
VCTP1812 B-T
VCTP2112 R or L-T
VCTP2112 B-T
VCTP1515 R or L-T

17 11/16" deep
VCTP1515 B-T
VCTP1815 R or L-T
VCTP1815 B-T

Fits cabinet:
 VLC1515
 VLC1815
 VLC1815

20 11/16" deep
VCTP1518 R or L-T
VCTP1518 B-T
VCTP1818 R or L-T
VCTP1818 B-T

VLC1518 or VLT1518
 VLC1518 or VLT1518
 VLC1818 or VLT1818
 VLC1818 or VLT1818

23 11/16" deep
VCTP1521 R or L-T
VCTP1521 B-T
VCTP1821 R or L-T
VCTP1821 B-T
VCTP2121 R or L-T
VCTP2121 B-T
VCTP2421 R or L-T
VCTP2421 B-T

VLC1521 or VLT1521
 VLC1521 or VLT1521
 VLC1821 or VLT1821
 VLC1821 or VLT1821
 VLC2121
 VLC2121
 VTL2421
 VTL2421

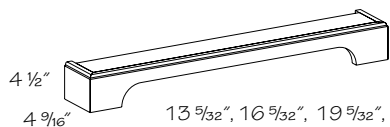
Gray color coding indicates new product, size or code.

- Decorative top plate for vanity linen and wall cabinets
- 3/4" plywood or laminate panel trimmed with Ogee Edging (OGE8) and Crown Molding (CM8)
- Quartersawn door styles will be supplied in plain sawn wood

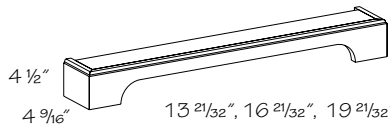
PE
APC
APFC
FPEB
MI
RD
VTK
WR

Vanity Decorative Skirt

(price book pg. G45)



VCSK



VCSKF

13 5/32", 16 5/32", 19 5/32",
 22 5/32", 25 5/32", 28 5/32",
 31 5/32", 34 5/32", 37 5/32",
 43 5/32", 49 5/32", 61 5/32"

13 21/32", 16 21/32", 19 21/32",
 22 21/32", 25 21/32", 28 21/32",
 31 21/32", 34 21/32", 37 21/32",
 43 21/32", 49 21/32", 61 21/32"

Standard Ends
VCSK1204
VCSK1504
VCSK1804
VCSK2104
VCSK2404
VCSK2704
VCSK3004
VCSK3304
VCSK3604
VCSK4204
VCSK4804
VCSK6004

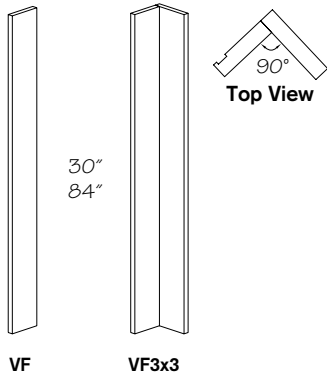
Fits cabinet:
 VB12 or VBD12
 VB15 or VBD15
 VLC18 or VB18 or VSB18 or VBD18
 VB21 or VSB21 or VBD21
 VB24 or VSB24 or VBD24 or VCD24
 VB27 or VSB27 or VBD27 or VCD27
 VB30 or VSB30 or VCD30
 VB33 or VSB33
 VSB36 or VCD36
 VSB42 or VCD42
 VSB48 or VCD48
 VSB60 or VCD60

Flush/Integrated Ends
VCSKF1204
VCSKF1504
VCSKF1804
VCSKF2104
VCSKF2404
VCSKF2704
VCSKF3004
VCSKF3304
VCSKF3604
VCSKF4204
VCSKF4804
VCSKF6004

Fits cabinet:
 VB12 or VBD12
 VB15 or VBD15
 VLC18 or VB18 or VSB18 or VBD18
 VB21 or VSB21 or VBD21
 VB24 or VSB24 or VBD24 or VCD24
 VB27 or VSB27 or VBD27 or VCD27
 VB30 or VSB30 or VCD30
 VB33 or VSB33
 VSB36 or VCD36
 VSB42 or VCD42
 VSB48 or VCD48
 VSB60 or VCD60

- Solid wood front and sides stained to match or painted White or Cream
- Decorative routing at top
- Designed to fit vanity toe kick space
- If desired, matching toe kick must be ordered separately and installed before skirt
- Quartersawn door styles will be supplied in plain sawn wood

PE
APC
APFC
FPEB
MI
RD
VTK
WR



Vanity Filler

(price book pg. G45)

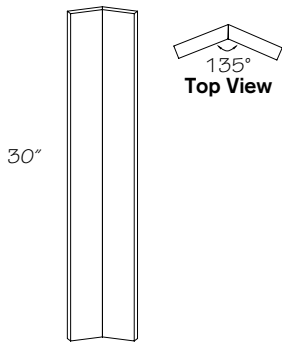
- VF3 -34**
- VF6 -34**
- VF3 -88**
- VF6 -88**
- VF3X3 -34**

- 3/4" solid wood
- Quartersawn door styles will be supplied in plain sawn wood
- No toe kick



Remember to use fillers with full overlay door styles, especially square edge profiles, when cabinets will be against a return wall, box, pilaster or column. Use fillers on all overlays if there is case molding on a return wall. This will ensure proper clearance for drawers and roll-out tray access.

PE
APC
APFC
FPEB
MI
RD
VTK
WR



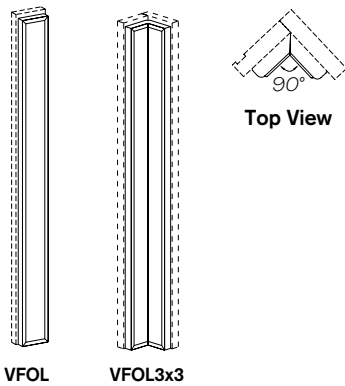
Vanity Inside Corner Angle Filler

(price book pg. G45)

- ICAF30**

- 3/4" solid wood
- Quartersawn door styles will be supplied in plain sawn wood
- Finished one side only
- **Not** available in laminate door styles

PE
APC
APFC
FPEB
MI
RD
VTK
WR



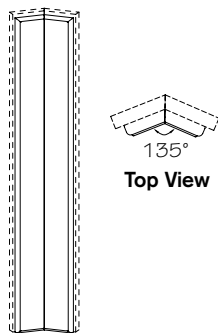
Vanity Filler Overlay

(price book pg. G45)

- VFOL3 -34**
- VFOL6 -34**
- VFOL3 -88**
- VFOL6 -88**
- VFOL3X3 -34**
- VFOL3 -88-FH**
- VFOL6 -88-FH**

- Available in full overlay door styles only
- Filler overlay has routed door profile and is solid wood or laminate
- Filler ordered separately
- Quartersawn oak door styles are 3/4" quartersawn solid wood with matching door profile on all sides. Quartersawn cherry and maple door styles are quartersawn wood veneer

PE
APC
APFC
FPEB
MI
RD
VTK
WR



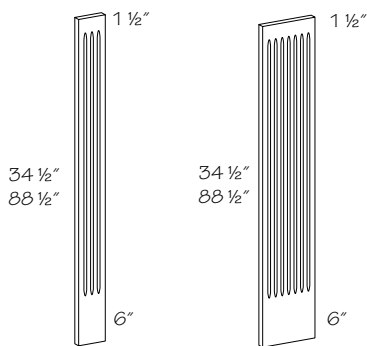
Vanity Inside Corner Angle Filler Overlay

(price book pg. G45)

ICAFOL30

- 3/4" solid wood
- Available in full overlay door styles only
- Filler overlay has routed door profile and is solid wood
- Quartersawn oak door styles are 3/4" quartersawn solid wood with matching door profile on all sides. Quartersawn cherry and maple door styles are quartersawn wood veneer
- Filler ordered separately
- Shipped as two pieces
- **Not** available in laminate door styles

PE
APC
APFC
FPEB
MI
RD
VTK
WR



Vanity Fluted Filler

(price book pg. G45)

VFF3 •34

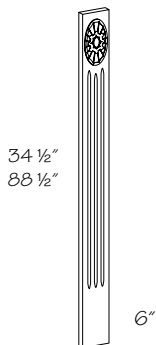
VFF6 •34

VFF3 •88

VFF6 •88

- 3/4" solid wood
- Quartersawn door styles will be supplied in plain sawn wood
- Laminates are painted hardwood

PE
APC
APFC
FPEB
MI
RD
VTK
WR



Rosette Vanity Fluted Filler

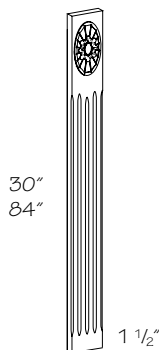
(price book pg. G45)

RVFF3 •34

RVFF3 •88

- 3/4" solid wood
- Applied decorative rosette
- Laminates are painted hardwood
- Quartersawn door styles will be supplied in plain sawn wood

PE
APC
APFC
FPEB
MI
RD
VTK
WR



Rosette Fluted Vanity Filler Overlay

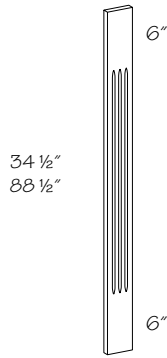
(price book pg. G45)

RFV FOL3 •34

RFV FOL3 •88

- 3/4" solid wood
- Quartersawn door styles will be supplied in plain sawn wood
- Applied decorative rosette
- Laminates are painted hardwood

PE
APC
APFC
FPEB
MI
RD
VTK
WR



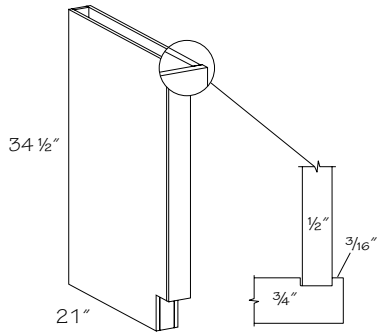
Plain Capital Vanity Fluted Filler

(price book pg. G45)

- PCVFF3 -34**
- PCVFF6 -34**
- PCVFF3 -88**
- PCVFF6 -88**

- 3/4" solid wood
- Quartersawn door styles will be supplied in plain sawn wood
- Laminates are painted hardwood

PE
APC
APFC
FPEB
MI
RD
VTK
WR



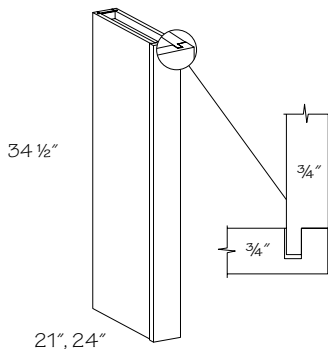
Vanity Box

(price book pg. G45)

VB32134

- Finished front and both sides
- Reversible, may be used on either right or left end

● PE
● APC
● APFC
● FPEB
MI
● RD
● VTK
● WR



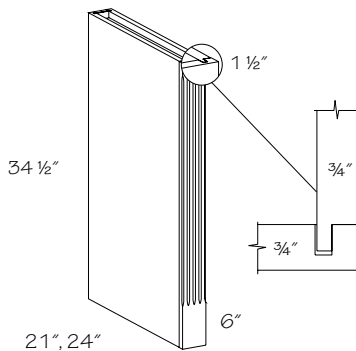
Vanity Column

(price book pg. G45)

- VC32134**
- VC62134**
- VC32434**
- VC62434**

- Front is 3/4" solid wood
- Quartersawn oak door styles have 3/4" solid quartersawn wood front and quartersawn wood veneer end panels
- Quartersawn cherry and maple door styles have 3/4" solid plain sawn wood front and plain sawn wood veneer end panels
- Finished front and both sides
- Reversible, may be installed left or right
- ☆ APFC standard when APC option is selected

PE
● APC
☆ APFC
❖ FPEB
MI
● RD
VTK
❖ WR



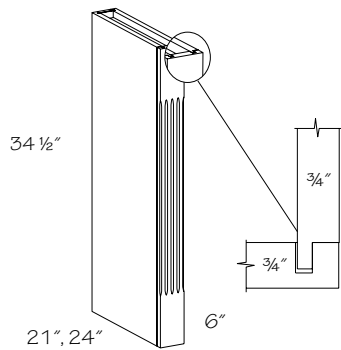
Vanity Fluted Column

(price book pg. G46)

- VFC32134**
- VFC32434**

- Fluted front is 3/4" solid wood; plain sawn wood supplied for quartersawn door styles
- Quartersawn oak door styles have quartersawn wood veneer end panels. Quartersawn cherry and maple door styles plain sawn end panels.
- Finished front and both sides
- Reversible, may be used on either right or left end
- ☆ APFC standard when APC option is selected

PE
● APC
☆ APFC
❖ FPEB
MI
● RD
VTK
❖ WR



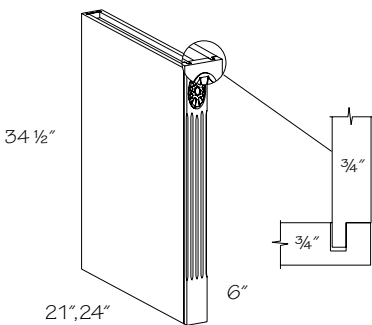
Plain Capital Vanity Fluted Column

(price book pg. G46)

PCVFC32134
PCVFC32434

- Fluted front is 3/4" solid wood; plain sawn wood supplied for quartersawn door styles
- Quartersawn oak door styles have quartersawn wood veneer end panels. Quartersawn cherry and maple door styles plain sawn end panels.
- Finished front and both sides
- Reversible, may be used on either right or left end
- ☆ APFC standard when APC option is selected

PE
● APC
☆ APFC
◇ FPEB
MI
● RD
VTK
◇ WR



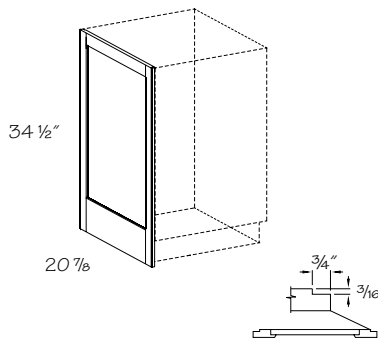
Rosette Vanity Fluted Column

(price book pg. G46)

RVFC32134
RVFC32434

- Fluted front is 3/4" solid wood; plain sawn wood supplied for quartersawn door styles
- Quartersawn oak door styles have quartersawn wood veneer end panels. Quartersawn cherry and maple door styles plain sawn end panels.
- Finished front and both sides
- Reversible, may be used on either right or left end
- Applied decorative rosette
- Laminates are painted hardwood
- ☆ APFC standard when APC option is selected

PE
● APC
☆ APFC
◇ FPEB
MI
● RD
VTK
◇ WR



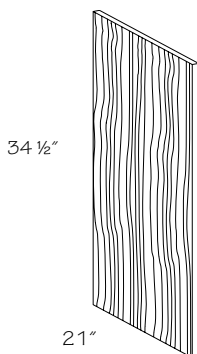
Universal Vanity End Panel

(price book pg. G46)

UVEP2134

- 3/4" thick frame with square recessed panel
- Quartersawn door styles will be supplied in plain sawn wood
- Field installation only
- Reversible, may be installed left or right
- **Not** available in laminate door styles
- ☆ Wide Bottom Rail—field notch for toe kick

PE
APC
APFC
FPEB
MI
RD
VTK
☆ WR



Vanity End Panel

(price book pg. G46)

Printed Wood Grain Laminate

■ **WVEP2134** 21" x 34 1/2" x 3/4"

Wood Veneer

※▲ **WVEP2134** 21" x 34 1/2" x 7/8"

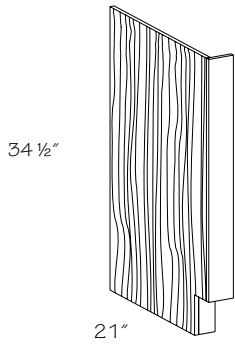
■ Quartersawn door styles will be supplied in plain sawn wood

※ Laminates are painted hardwood

▲ Quartersawn Cherry and Maple door styles supplied plain sawn

- Edgebanded one long edge
- Finished to match exterior both sides
- ☆ APC panel only available in wood veneer
- ☆ APC panel is 11/16" thick

PE
☆ APC
APFC
FPEB
MI
RD
VTK
WR



Vanity End Panel w/Stile

(price book pg. G46)

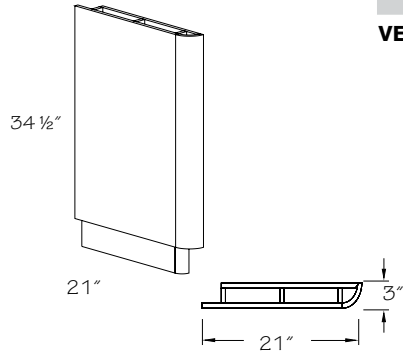
Specify R or L Printed Wood Grain Laminate

VEP1 1/2 R or L-34

VEP3 R or L-34

- Exterior finished to match, interior is Natural Birch printed woodgrain laminate
- Left shown

- PE
- APC
- APFC
- FPFB
- MI
- RD
- VTK
- WR



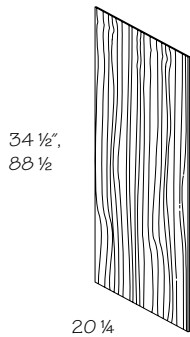
Vanity Curved End Panel

(price book pg. G46)

VEP32134 CEP

- 5/8" wood veneer construction
- Reversible, may be used on either right or left end
- Curved matching toe kick included and shipped separately
- Quartersawn door styles will be supplied in plain sawn wood

- PE
- APC
- APFC
- FPFB
- MI
- RD
- VTK
- WR



Vanity Skin-Printed Woodgrain Laminate

(price book pg. J2)

VSK2134 20 1/4" x 34 1/2" x 1/8"

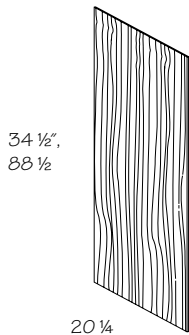
VSK2188 20 1/4" x 88 1/2" x 1/8"

- Edges are unfinished with no edgebanding
- Quartersawn door styles will be supplied in plain sawn wood



Remember that most flat panels will **not** take glaze finishes like doors and molding due to little or no hang-up. When choosing a glaze finish, consider using a matching end panel on exposed ends of cabinets.

- PE
- APC
- APFC
- FPFB
- MI
- RD
- VTK
- WR



Vanity Skin-Wood Veneer

(price book pg. F47, J2)

WSK2134 20 1/4" x 34 1/2" x 3/16"

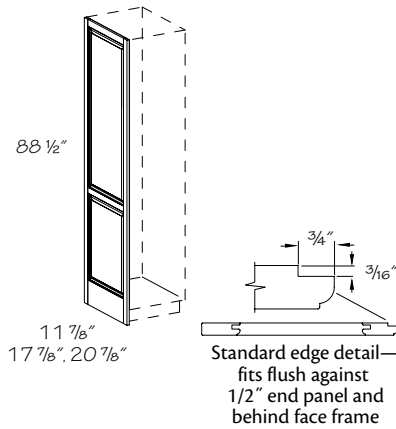
WSK2188 20 1/4" x 88 1/2" x 3/16"

- Plywood construction
- Quartersawn oak door styles are quartersawn wood veneer
- Finished one side only
- Edges are unfinished with no edgebanding
- WPL9648 and WSK3696 are available in quartersawn cherry and maple wood veneer. All other panels are supplied in plain sawn wood for quartersawn cherry and maple door styles.



Remember to order "Furniture Ends" (FPFB) or a Wood Skin (WSK) for wall cabinets that will be at the end of a run when applying decorative moldings. This will result in a flush application on the return.

- PE
- ☆ APC
- APFC
- FPFB
- MI
- RD
- VTK
- WR



Matching Tall Vanity End Panel

(price book pg. G39)

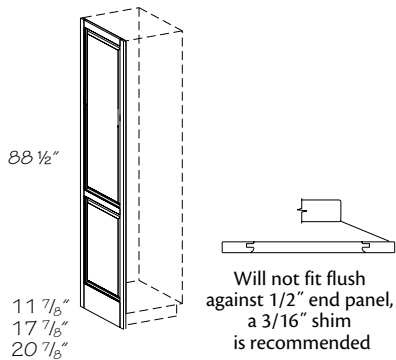
MTEP1288 R or L
MTEP1888 R or L
MTEP2188 R or L

- 3/4" thick panel with matching door edge profile on front edge only
- Left shown
- Field installation only
- **Not** available in laminate door styles
- **Not** available in mitered door styles; use End Panel-Mitered
- **Not** available in Epic or Breland door styles
- ☆ Wide Bottom Rail—field notch for toe kick
- **Not** available in slab door styles

PE
APC
APFC
FPEB
MI
RD
VTK
☆ WR



When designing with Matching End Panels the reveal will differ from the cabinet door height reveal. Matching End Panels cover the entire side of the cabinet. See drawing for exact measurements.



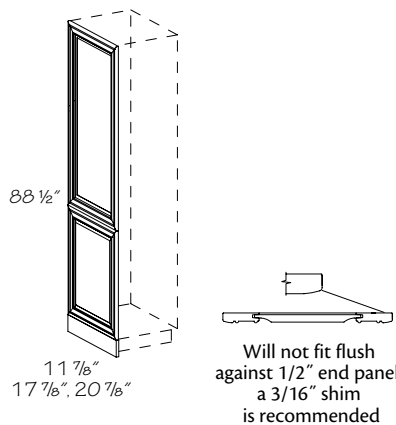
Matching Tall Vanity End Panel-Square Edges

(price book pg. G39)

MTEP1288 -S
MTEP1888 -S
MTEP2188 -S

- 3/4" thick panel with square edge front and back
- Reversible, may be used on either right or left end
- No frame recess dado
- Field installation only
- **Not** available in laminate door styles
- **Not** available in mitered door styles; use End Panel-Mitered
- **Not** available in Epic or Breland door styles
- **Not** available in slab door styles

PE
APC
APFC
FPEB
MI
RD
VTK
☆ WR



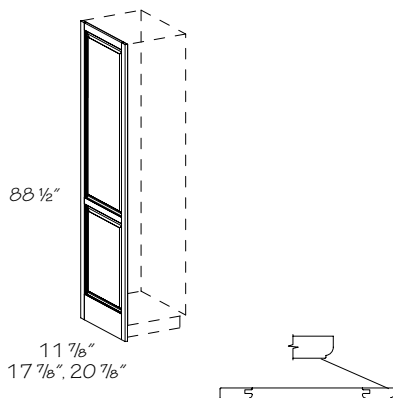
Matching Tall Vanity End Panel-Mitered

(price book pg. G39)

M-MTEP1288
M-MTEP1888
M-MTEP2188

- 3/4" thick panel with matching door edge profile on four sides
- Reversible, may be used on either right or left end
- Available in mitered door styles only
- Field installation only
- Top, bottom and toe kick shipped separately

PE
APC
APFC
FPEB
MI
RD
VTK
WR



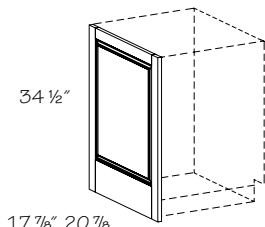
Furniture Matching Tall Vanity End Panel

(price book pg. G41)

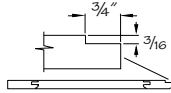
FMTEP1288 R or L
FMTEP1888 R or L
FMTEP2188 R or L

- 3/4" thick panel with matching door edge profile on front edge only
- Left shown
- Field installation only
- For use with Furniture Plywood Ends (FPEB)—flush ends
- **Not** available in laminate door styles
- **Not** available in mitered door styles; use End Panel-Mitered
- ☆ Wide Bottom Rail—field notch for toe kick
- **Not** available in Epic or Breland door styles
- **Not** available in slab door styles

PE
APC
APFC
FPEB
MI
RD
VTK
☆ WR



17 7/8", 20 7/8"



Standard edge detail — fits flush against 1/2" end panel and behind face frame

Matching Vanity End Panel

(price book pg. G41)

MVEP1834 R or L
MVEP2134 R or L

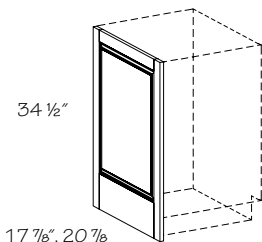
- 3/4" thick panel with matching door edge profile on front edge only
- 3/4" thick panel with matching door edge profile on front edge only
- Left shown
- Laminate and slab door styles do **not** have grooves and will **not** fit flush against 1/2" end panel. A 3/16" shim is recommended.
- **Not** available in mitered door styles; use End Panel-Mitered
- ☆ Wide Bottom Rail—field notch for toe kick
- ☆ Wide Bottom Rail—field notch for toe kick
- Epic and laminate door styles do **not** have grooves and will **not** fit flush against 1/2" end panel. A 3/16" shim is recommended.

PE
APC
APFC
FPEB
MI
RD
VTK
☆ WR

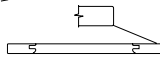
Matching Vanity End Panel—Square Edges

(price book pg. G41)

MVEP1834 -S
MVEP2134 -S



17 7/8", 20 7/8"



Will not fit flush against 1/2" end panel, a 3/16" shim is recommended

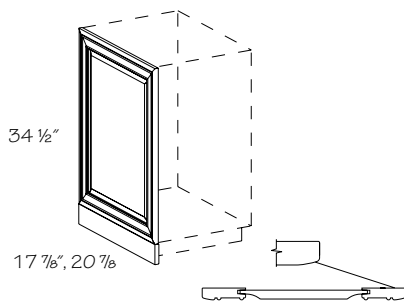
- 3/4" thick panel with square edge front and back
- Reversible, may be installed left or right
- No frame recess dado
- Field installation only
- **Not** available in laminate door styles
- **Not** available in mitered door styles; use End Panel-Mitered
- ☆ Wide Bottom Rail—field notch for toe kick

PE
APC
APFC
FPEB
MI
RD
VTK
☆ WR

Matching Vanity End Panel—Mitered

(price book pg. G41)

M-MVEP1834
M-MVEP2134



34 1/2"

17 7/8", 20 7/8"

Will not fit flush against 1/2" end panel, a 3/16" shim is recommended

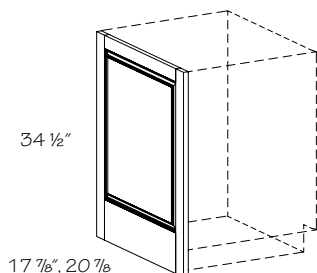
- 3/4" thick panel with matching door edge profile on front edge only
- Available in mitered door styles only
- Reversible, may be used on either right or left end
- Field installation only
- Toe kick shipped unattached
- ☆ Wide Bottom Rail—field notch for toe kick

PE
APC
APFC
FPEB
MI
RD
VTK
☆ WR

Furniture Matching Vanity End Panel

(price book pg. G41)

FMVEP1834 R or L
FMVEP2134 R or L



34 1/2"

17 7/8", 20 7/8"

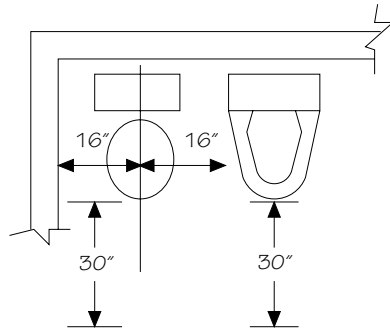


- 3/4" thick panel with matching door edge profile on front edge only
- For use with Furniture Plywood Ends (FPEB)—flush ends
- Left shown
- Field installation only
- **Not** available in mitered door styles; use End Panel-Mitered
- ☆ Wide Bottom Rail—field notch for toe kick

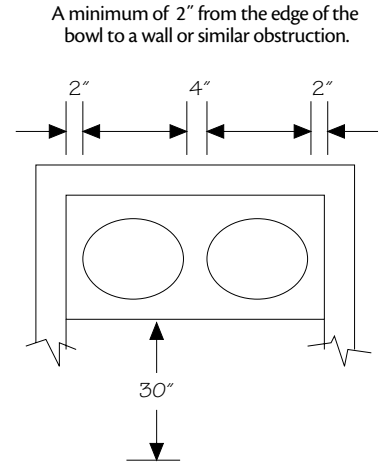
PE
APC
APFC
FPEB
MI
RD
VTK
☆ WR

Vanity Bath Clearances

APC
FPEB
MI
PE
RD
WR
APFC
VTK

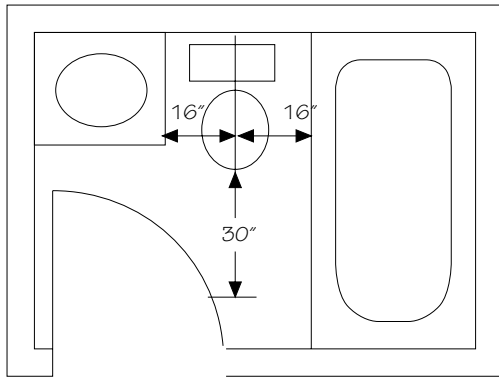


Minimum 30" of clearance space in front of the fixture.



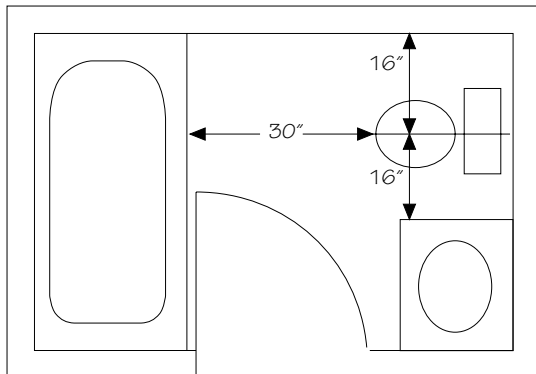
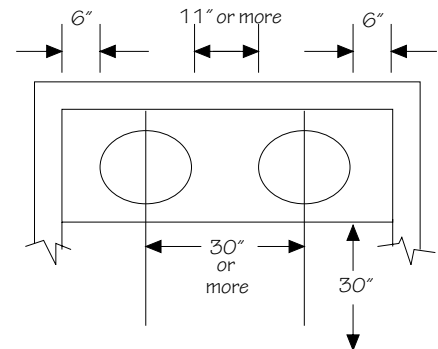
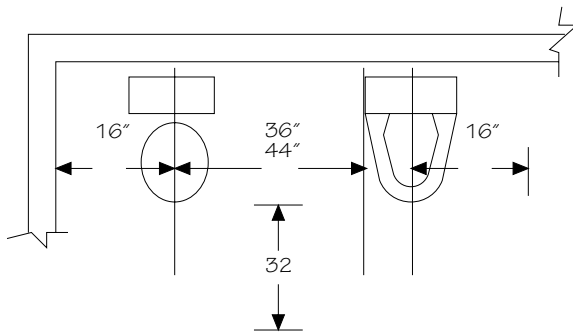
A minimum of 2" from the edge of the bowl to a wall or similar obstruction.

Minimum 30" of clearance space in front of the fixture. When using double bowls allow 4" of space between the edge of each bowl



16" of clearance on each side of center.

Desirable Clearances



Notes

Notes